

1260 VXI SWITCHING CARD

1260-35 MULTIPLEXER / SCANNER

PUBLICATION NO. 980673-006

RACAL INSTRUMENTS

Racal Instruments, Inc.

4 Goodyear St., Irvine, CA 92618-2002
Tel: (800) 722-3262, FAX: (949) 859-7309

Racal Instruments, Ltd.

480 Bath Road, Slough, Berkshire, SL1 6BE, United Kingdom
Tel: +44 (0) 8706 080134; FAX: +44 (0) 1753 791290

Racal Systems Electronique S.A.

18 Avenue Dutartre, 78150 LeChesnay, France
Tel: +33 (1) 3923 2222; FAX: +33 (1) 3923 2225

Racal Systems Elettronica s.r.l.

Strada 2-Palazzo C4, 20090 Milanofiori Assago, Milan, Italy
Tel: +39 (02) 5750 1796; FAX +39 (02) 5750 1828

Racal Elektronik System GmbH.

Frankenforster Strasse 21, 51427 Bergisch Gladbach, Germany
Tel: +49 2204 92220; FAX: +49 2204 21491

Racal Australia Pty. Ltd.

3 Powells Road, Brookvale, NSW 2100, Australia
Tel: +61 (2) 9936 7000, FAX: +61 (2) 9936 7036

Racal Electronics Pte. Ltd.

26 Ayer Rajah Crescent, 04-06/07 Ayer Rajah Industrial Estate, Singapore 0513.
Tel: +65 7792200, FAX: +65 7785400

Racal Instruments, Ltd.

Unit 5, 25F., Mega Trade Center, No 1, Mei Wan Road, Tsuen Wan, Hong Kong, PRC
Tel: +852 2405 5500, FAX: +852 2416 4335

<http://www.racalinst.com>

The RACAL logo consists of the word "RACAL" in a bold, sans-serif font. Each letter is contained within a rectangular box, and the boxes are arranged in a slightly staggered, overlapping manner.

PUBLICATION DATE: April 10, 2000

Copyright 1997 by Racal Instruments, Inc. Printed in the United States of America. All rights reserved.
This book or parts thereof may not be reproduced in any form without written permission of the publisher.

WARRANTY STATEMENT

All Racal Instruments, Inc. products are designed and manufactured to exacting standards and in full conformance to Racal's ISO 9001 procedures.

For the specific terms of your standard warranty, or optional extended warranty or service agreement, contact your Racal customer service advisor. Please have the following information available to facilitate service.

1. Product serial number
2. Product model number
3. Your company and contact information

You may contact your customer service advisor by:

E-Mail:	Helpdesk@racalstruments.com	
Telephone:	+1 800 722 3262	(USA)
	+44(0) 8706 080134	(UK)
	+852 2405 5500	(Hong Kong)
Fax:	+1 949 859 7309	(USA)
	+44(0) 1628 662017	(UK)
	+852 2416 4335	(Hong Kong)

RETURN of PRODUCT

Authorization is required from Racal Instruments before you send us your product for service or calibration. Call your nearest Racal Instruments support facility. A list is located on the last page of this manual. If you are unsure where to call, contact Racal Instruments, Inc. Customer Support Department in Irvine, California, USA at 1-800-722-3262 or 1-949-859-8999 or via fax at 1-949-859-7139. We can be reached at: helpdesk@racalstruments.com.

PROPRIETARY NOTICE

This document and the technical data herein disclosed, are proprietary to Racal Instruments, and shall not, without express written permission of Racal Instruments, be used, in whole or in part to solicit quotations from a competitive source or used for manufacture by anyone other than Racal Instruments. The information herein has been developed at private expense, and may only be used for operation and maintenance reference purposes or for purposes of engineering evaluation and incorporation into technical specifications and other documents which specify procurement of products from Racal Instruments.

FOR YOUR SAFETY

Before undertaking any troubleshooting, maintenance or exploratory procedure, read carefully the **WARNINGS** and **CAUTION** notices.

This equipment contains voltage hazardous to human life and safety, and is capable of inflicting personal injury.

If this instrument is to be powered from the AC line (mains) through an autotransformer, ensure the common connector is connected to the neutral (earth pole) of the power supply.

Before operating the unit, ensure the conductor (green wire) is connected to the ground (earth) conductor of the power outlet. Do not use a two-conductor extension cord or a three-prong/two-prong adapter. This will defeat the protective feature of the third conductor in the power cord.

Maintenance and calibration procedures sometimes call for operation of the unit with power applied and protective covers removed. Read the procedures and heed warnings to avoid "live" circuit points.

Before operating this instrument:

1. Ensure the instrument is configured to operate on the voltage at the power source. See Installation Section.
2. Ensure the proper fuse is in place for the power source to operate.
3. Ensure all other devices connected to or in proximity to this instrument are properly grounded or connected to the protective third-wire earth ground.

If the instrument:

- fails to operate satisfactorily
- shows visible damage
- has been stored under unfavorable conditions
- has sustained stress

Do not operate until performance is checked by qualified personnel.

This page was left intentionally blank.

NOTE FOR SYSTEMS WITH 1260-OPT 01T

The “Module-Specific Syntax” section of this manual shows the command syntax for the 1260-01S Smart Card. If you are using the newer 1260-01T Smart Card, the commands will NOT work as shown.

Consult the 1260-01T Manual for a description of the commands that may be used with the 1260-01T Smart Card.

The channel numbers described in this manual are valid for the 1260-01T. The channel numbers continue to be used for the 1260-01T.

The syntax of the commands that use channel numbers has changed for those cards controlled by the 1260-01T.

The new syntax used to close a channel is:

```
CLOSE (@ <module address> ( <channel> ) )
```

For example, for a relay module whose <module address> is set to 7, closing <channel> 0 is performed with the command:

```
CLOSE (@7 (0))
```

Using the older 1260-01S, the command would be (as shown in this manual):

```
CLOSE 7.0
```

Many other command syntax differences exist. Please consult chapter 2 of the 1260-01T manual for a description of the commands that are available for the 1260-01T.

Control Information for the 1260-35A

The 1260-35A operates as a 4-wire MUX. Thus, when a channel is operated, 2 relays must be operated in parallel. For each channel, when a bit of Control Register X is set (or cleared), the same bit of Control Register X+6 must also be set (or cleared).

Each channel on this module is therefore controlled by setting or clearing **two** bits, one each in two different Control Registers. Control Registers on the module operate 8 channels simultaneously. There are eight control bits per Control Register. Setting the bit to a 1 closes the relay; setting the bit to a 0 opens the relay.

The table below shows the mapping between logical channels used to operate the relay module in message-based mode and the bits within the Control Registers which may be used to operate the channel in register-based mode.

Each Control Register is located 2 addresses from the previous Control Register. That is, each Control Register is located at an odd address. This is shown in Table 2-2 of the 1260-01T manual. Control Register 0 is located at the "Base A24 Address" for the module. Consult the "Register-Based Operation" Section of Chapter 2 of the 1260-01T manual for a description of calculating control register addresses

For example, when closing channel 13, both byte 1 and byte 7 must have bit 5 set.

Channel	Control Register	Control Bit
0	0 and 6	0
1	0 and 6	1
2	0 and 6	2
3	0 and 6	3
4	0 and 6	4
5	0 and 6	5
6	0 and 6	6
7	0 and 6	7
8	1 and 7	0
9	1 and 7	1
10	1 and 7	2
11	1 and 7	3
12	1 and 7	4
13	1 and 7	5
14	1 and 7	6
15	1 and 7	7
16	2 and 8	0
17	2 and 8	1
18	2 and 8	2
19	2 and 8	3
20	2 and 8	4
21	2 and 8	5
22	2 and 8	6
23	2 and 8	7
24	3 and 9	0
25	3 and 9	1
26	3 and 9	2
27	3 and 9	3
28	3 and 9	4
29	3 and 9	5
30	3 and 9	6
31	3 and 9	7
32	4 and 10	0
33	4 and 10	1
34	4 and 10	2
35	4 and 10	3
36	4 and 10	4
37	4 and 10	5
38	4 and 10	6
39	4 and 10	7

Channel	Control Register	Control Bit
40	5 and 11	0
41	5 and 11	1
42	5 and 11	2
43	5 and 11	3
44	5 and 11	4
45	5 and 11	5
46	5 and 11	6
47	5 and 11	7

Control Information for the 1260-35B

The following information describes the control-register-to-relay-channel mapping for a 1260-35B Relay Module. This information may be used to control a 1260-35B when using a 1260-01T in the register-based mode of operation.

Each relay on this module is controlled by setting or clearing a single bit within a Control Register. Control Registers on the module operate 8 channels simultaneously. There are eight control bits per Control Register. Setting the bit to a 1 closes the relay; setting the bit to a 0 opens the relay.

The table below shows the mapping from logical channels to control bits. The logical channels are used when operating the relay module in message-based mode. The control bits within the Control Registers are used to operate the module in register-based mode.

Each Control Register is located 2 addresses from the previous Control Register. That is, each Control Register is located at an odd address. This is shown in Table 2-2 of the 1260-01T manual. Control Register 0 is located at the "Base A24 Address" for the module. Consult the "Register-Based Operation" Section of Chapter 2 of the 1260-01T manual for a description of calculating control register addresses.

Channel	Control Register	Control Bit
0	0	0
1	0	1
2	0	2
3	0	3
4	0	4
5	0	5
6	0	6
7	0	7
8	1	0
9	1	1
10	1	2
11	1	3
12	1	4
13	1	5
14	1	6
15	1	7
16	2	0
17	2	1
18	2	2
19	2	3
20	2	4
21	2	5
22	2	6
23	2	7
24	3	0
25	3	1
26	3	2
27	3	3
28	3	4
29	3	5
30	3	6
31	3	7
32	4	0
33	4	1
34	4	2
35	4	3
36	4	4
37	4	5
38	4	6
39	4	7
40	5	0
41	5	1
42	5	2
43	5	3

Channel	Control Register	Control Bit
44	5	4
45	5	5
46	5	6
47	5	7
48	6	0
49	6	1
50	6	2
51	6	3
52	6	4
53	6	5
54	6	6
55	6	7
56	7	0
57	7	1
58	7	2
59	7	3
60	7	4
61	7	5
62	7	6
63	7	7
64	8	0
65	8	1
66	8	2
67	8	3
68	8	4
69	8	5
70	8	6
71	8	7
72	9	0
73	9	1
74	9	2
75	9	3
76	9	4
77	9	5
78	9	6
79	9	7
80	10	0
81	10	1
82	10	2
83	10	3
84	10	4
85	10	5
86	10	6
87	10	7
88	11	0
89	11	1
90	11	2
91	11	3
92	11	4
93	11	5
94	11	6
95	11	7
96	12	0

Table of Contents

Chapter 1	
MODULE SPECIFICATION	1-1
1260-35 Module Specification	1-1
Specifications	1-2
Ordering Information	1-3
Safety.....	1-3
Product Support	1-3
Chapter 2	
INSTALLATION INSTRUCTIONS	2-1
Unpacking and Inspection	2-1
Reshipment Instructions.....	2-1
Option 01 Installation	2-2
Module Installation	2-2
1260-35 ID Byte	2-2
Configuration.....	2-2
Analog Bus.....	2-4
Chapter 3	
MODULE SPECIFIC SYNTAX.....	3-1
1260-35 Module Specific Syntax	3-1
Syntax	3-1
CLOSE Command.....	3-2
PSETUP Command.....	3-2
PDATAOUT Command.....	3-2
Operation In Single-Wire Mode	3-3
Chapter 4	
DRAWINGS.....	4-1
Chapter 5	
PARTS LIST	5-1

Chapter 6

OPTIONAL HARNESS ASSEMBLIES..... 6-1

Chapter 7

PRODUCT SUPPORT 7-1

- Product Support..... 7-1
- Reshipment Instructions 7-1
- Support Offices 7-2

List of Figures

Figure 1-1, 1260-35 Signal Multiplexer/Scanner Module..... 1-1

Figure 3-1, 1260-35 Block Diagram 3-7

Figure 3-2, 1260-35 Pin Connections, Front View..... 3-8

List of Tables

Table 2-1, 1260-35 Jumper Installation..... 2-3

Table 3-1, 1260-35 Channel Closure 3-3

Table 3-1, 1260-35 Channel Closure (continued) 3-5

Table 3-1, 1260-35 Channel Closure (continued) 3-6

This page was left intentionally blank.

Chapter 1

MODULE SPECIFICATION

1260-35 Module Specification

The 1260-35 Signal Multiplexer/Scanner Module is a 1 x 96 multiplexer. It switches two lines per channel and has the capability of being configured as two 1 x 48 multiplexers, four 1 x 24 multiplexers, eight 1 x 12 multiplexers, or sixteen 1 x 6 multiplexers. The configuration is user selectable, but is supplied by the factory in one 1 x 96 two-wire mode. A block diagram of the module is shown in Figure 3-1

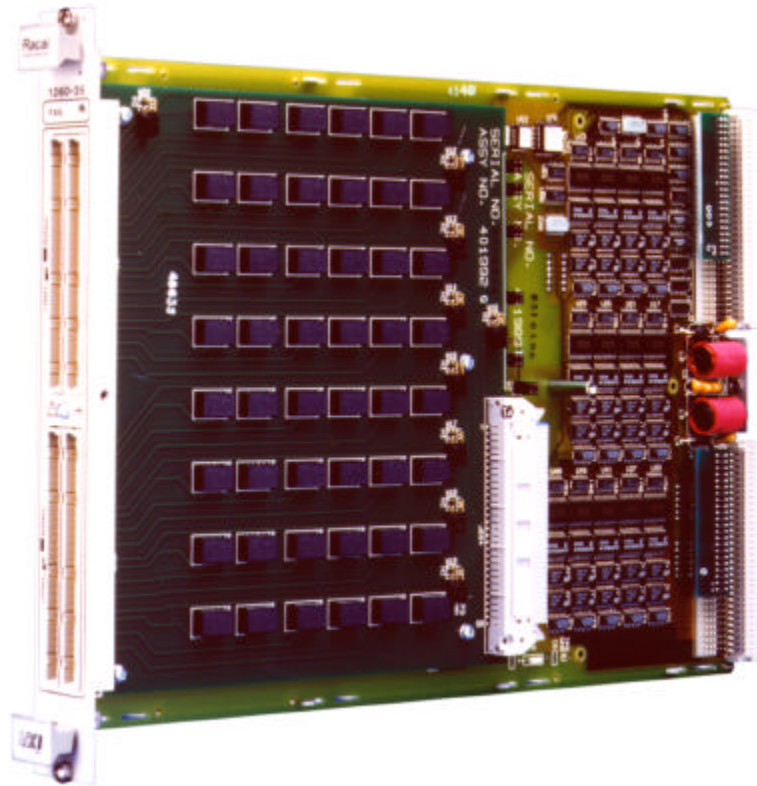


Figure 1-1, 1260-35 Signal Multiplexer/Scanner Module

Specifications

Switch Configurations	
Four-wire Mode	Any configuration
Two-wire Mode	Any configuration
User Connector	64-Pin (2 Row) IDC Quick Disconnect
Maximum Switchable Voltage (Terminal-Terminal or Terminal-Chassis)	220VDC, 250VAC RMS
Maximum Switchable Current	1A DC or 1A RMS
Maximum Switchable Power Per Channel	30W DC, 62.5VA AC
Path Resistance	<0.5 Ω (1 X 6 configuration) <1.0 Ω (1 X 96 configuration)
Isolation Hi-Lo	>7.5 X 10 ⁸ Ω
Capacitance	
Open Channel	<600pf (1 x 96 configuration)
Channel-Chassis	<60pf (1 x 6 configuration) <200pf (1 x 96 configuration)
Hi-Lo	<50pf (1 x 6 configuration) <600pf (1 x 96 configuration)
Bandwidth (50 Ω Termination)	>50 MHz (1 x 6 configuration) >15 MHz (1 x 48 configuration)
* A crimp connector kit is also available for this module (PIN 404975-001). A strain relief option can be ordered separately for this crimp connector kit.	
Insertion Loss (50 Ω) 1 x 6 Configuration	<.1 dB to 100kHz <.5 dB to 1MHz <1 dB to 10MHz
Insertion Loss (50 Ω) 1 x 96 Configuration	<3 dB to 8MHz
Crosstalk (50 Ω termination)	<-90 dB to 100kHz <-70 dB to 1 MHz <-23 dB to 10MHz

Cooling Requirement

Airflow	4.0 liters/sec
Backpressure	0.5mm H ₂ O
Power Requirements	
+5V, I _{pm}	0.4A (2.8A with Option 01 installed)
+24V, I _{dm}	10mA per energized relay
Weight	3.07lbs (1.33Kg) 3.35lbs (1.51Kg) with Option 01 installed
Minimum Option 01 Firmware Revision	17.1

Ordering Information

Model Number	Description	Part Number
1260-35	1 X 96 Signal Multiplexer/ Scanner, User Conn: IDC	404944
1260-35A	1 X 96 Signal Multiplexer/ Scanner, User Conn: Crimp	404944-001

Safety

Refer to the “FOR YOUR SAFETY” page preceding the Table of Contents. Following all NOTES, CAUTIONS, and WARNINGS to ensure personal safety and prevent damage to the instrument.

Product Support

Racal Instruments has a complete Service and Parts Department. If you need technical assistance or should it be necessary to return your product for servicing, call 1-800-722-3262. If parts are required to repair the product at your facility, call 1-949-859-8999 and ask for the Parts Department

When sending your instrument in for repair, complete the form in the back of this manual.

This page was left intentionally blank.

Chapter 2

INSTALLATION INSTRUCTIONS

Unpacking and Inspection

1. Before unpacking the switching module, check the exterior of the shipping carton for any signs of damage. All irregularities should be noted on the shipping bill.
2. Remove the instrument from its carton, preserving the factory packaging as much as possible.
3. Inspect the switching module for any defect or damage. Immediately notify the carrier if any damage is apparent.
4. Have a qualified person check the instrument for safety before use.

CAUTION

Proper ESD handling procedures must always be used when packing, unpacking or installing any 1260 Series cards. Failure to do so may cause damage to the unit.

Reshipment Instructions

1. Use the original packing material when returning the switching module to Racal Instruments for servicing. The original shipping carton and the instrument's plastic foam will provide the necessary support for safe reshipment.
2. If the original packing material is unavailable, wrap the switching module in plastic sheeting and use plastic spray foam to surround and protect the instrument.
3. Reship in either the original or a new shipping carton.

Option 01 Installation

Installation of the Option 01 to the 1260-35 is described in the Installation section of the 1260 Series VXI Switching Cards Manual.

Module Installation

Installation of the 1260-35 Switching Module into a VXI mainframe, including the setting of DIP switches, is described in the Installation section of the 1260 Series VXI Switching Cards Manual. Configuration of the PCBA and setting of the DIP switches SW1-5 and SW1-6 are described in the following sections.

1260-35 ID Byte

Each configuration responds to different sets of values for <channel number>. The set of values the 1260-35 responds to is controlled by switch 5 on DIP switch 51 on the PCB. The switch settings that correspond to the two configurations are as follows:

Configuration	S1 Switch 5	S1 Switch 6
Four-wire	Off	Off
Two-wire	On	Off

Configuration

The 1260-35 Scanner~u1tiplexer is a user configurable switching module. Ten different configurations are available as follows:

- 1) Sixteen 1 x 6 two-wire scanner/multiplexers, P/N 404944-206
- 2) Eight 1 x 6 four-wire scanner/multiplexers, P/N 404944406
- 3) Eight 1 x 12 two-wire scanner/multiplexers, P/N 404944-212
- 4) Four 1 x 12 four-wire scanner/multiplexers, P/N 404944-412
- 5) Four 1 x 24 two-wire scanner/multiplexers, P/N 404944-224
- 6) Two 1 x 24 four-wire scanner/multiplexers, P/N 404944-424
- 7) Two 1 x 48 two-wire scanner/multiplexers, P/N 404944-248
- 8) One 1 x 48 four-wire scanner/multiplexers, P/N 404944448
- 9) One 1 x 96 two-wire scanner/multiplexers, P/N 404944-296
- 10) One 1 x 192 one-wire scanner/multiplexers, P/N 404944

Unless otherwise specified, the 1260-35 is shipped from the factory in the 1 x 192 single wire configuration. Table 2-1 gives the

necessary information to configure the module into the other possible configurations

Table 2-1, 1260-35 Jumper Installation

An X indicates a jumper is to be fitted. An (X) indicates the jumper is optional depending on whether access to the analog bus is required. A blank indicates no jumper is to be fitted.

16(1x6) 2-wire	8(1x6) 4-wire	8(1x12) 2-wire	4(1x12) 4-wire	4(1x24) 2-wire	2(1x24) 4-wire	2(1x48) 2-wire	1(1x48) 4-wire	1(1x96) 2-wire
W2A, B						(X)	(X)	(X)
W3A, B		X	X	X	X	X	X	X
W4A, B				X	X	X	X	X
W5A, B		X	X	X	X	X	X	X
W6A, B						X	X	X
W7A, B								X
W8A, B		X	X	X	X	X	X	X
W9A, B				X	X	X	X	X
W10A, B		X	X	X	X	X	X	X
W11A, B					1(1x192)	1-WIRE	ONLY--->	X
W12A, B		X	X	X	X	X	X	X
W13A, B				X	X	X	X	X
W14A, B		X	X	X	X	X	X	X
W15A, B								X
W16A, B						X	X	X
W17A, B		X	X	X	X	X	X	X
W18A, B				X	X	X	X	X
W19A, B		X	X	X	X	X	X	X
W20A, B						(X)	(X)	(X)

Analog Bus

In most of the above configurations, the 1260-35 may be user configured to access an analog bus (refer to Figure 3-1). The analog bus allows internal expansion for the configuration of larger scanner/multiplexers than the module may achieve alone, by providing access to a common bus channel which may be daisy chained to other modules via the front panel.

To connect the module to the analog bus, install jumpers W2A, W2B, W20A, and W20B.

Chapter 3

MODULE SPECIFIC SYNTAX

1260-35 Module Specific Syntax

The Module Specific Syntax for the 1260-35 is required in the use of the OPEN and CLOSE commands. It will also appear in data output by the Master in response to the PDATAOUT and PSETUP commands.

Syntax

The Module Specific Syntax for the 1260-35 Signal Multiplexer/Scanner module is as follows:

```
OPEN <module address>.<channel>[;<module address>.  
    <channel>]
```

where <module address> is the switch card address.

<channel> is the relay to be closed to connect an input to the output.

Note that Channels remain closed until opened by an OPEN command, RESET command, VXI hard or soft reset, or power-off.

NOTE

The <module address> used here is NOT the VXIbus defined logical address of the 1260 Series Master. It is peculiar to the 1260 Series and describes the switching module in relation to the Master. This address corresponds to the binary value of the switch setting of SW1 on the switching module PCB.

The range of values for <channel> is:

One-wire	00-96
Two-wire	00-95
Four-wire	00-47

The actual mapping of number to connector pins is given in Table 3-1. Figure 3-1 shows the physical location of the various connector pins.

Example:

OPEN 3.02

This open command will open channel 2 on the module at switch card address 3

CLOSE Command

The Module Specific Syntax for the CLOSE command is the same as for the OPEN command.

PSETUP Command

The PSETUP command causes the specified module setup to be transmitted to the VXI Controller. The syntax used is:

PSETUP <module address>[;<module address>] [;<module address>] where <module address> is the address.

The responses to the PSETUP command for the 1260-35 Multiplexer/Scanner is as follows:

1260-35: Two-wire

<module address>. 1260-35B, Two-wire Scanner/Multiplexer
Module

<module address>. BBM
<module address>.END

1260-35: Four-wire

<module address>. 1260-35A, Four-wire Scanner/Multiplexer
Module

<module address>. BBM
<module address>.END

The response to the PSETUP command consists of a header on the first line. The header describes the model number followed by an A or B designating four or two-wire, respectively. The next line designates the setup mode for scanning which, by default, is Break-Before-Make (BBM). The last line containing the "END" characters denotes no more information to report.

PDATAOUT

The PDATAOUT command causes the specified module to transmit the CLOSED state of the relays within the switching

Command

module to the 1260 Controller. The syntax used is:

```
PDATAOUT <module address>[.<module address>]
           [<module address>].....
```

The responses to the PDATAOUT command is as follows:

1260-35: Two-wire

```
<module address>. 1260-3 SB Two-wire Scanner/Multiplexer
                   Module
```

```
<module address>. <channel>[,<channel>] [<channel>]
<module address>.END
```

1260-35 Four-wire

```
<module address>. 1 260-35A Four-wire Scanner/Multiplexer
                   Module
```

```
<module address>. <channel>[,<channel>] [<channel>]
<module address>.END
```

The response to the PDATAOUT command consists of a header on the first line as with the PSETUP response. The next line details the channels currently closed on the module and is blank when no channels are closed. Again, the last line is denoted by the "END" string of characters.

Operation In Single-Wire Mode

The 1260-35 is delivered with all jumpers installed (refer to Table 2-1). In this configuration, the module is a 1 x 96 two-wire multiplexer (refer to Figure 3-1).

Channel 97 is a single pole, double throw (SPDT) relay with its common channel connected to J202, pin B2. The normally closed (NC) contact is connected to the "LO" side of the two-wire common bus, and the normally open (NO) contact is connected to the "HI" side of the common bus.

The common output of channel 96 is the single channel of the 192 x 1 multiplexer, and the 96 HI and 96 LO connections make up the 192 channels. By closing the appropriate channel (0-95) and opening or closing channel 96. a 192 x 1 multiplexer is achieved.

Example:

```
CLOSE      3.46
CLOSE      3.96
```

This would correct J202 pin B2 to J202 pin A4

Table 3-1, 1260-35 Channel Closure

channel interconnect for 1, 2 and 4-wire modes.

1-wire mode:

<channel> (channel 96 open) 0 thru 95	<channel> output always J202- B2	<channel> input (see 2-wire mode channels 0-95 input pins b-side of channel)
(channel 96 closed) 0 thru 95	always J202- B2	(see 2-wire mode channels 0-95 input pins a-side of channel)

Thus, a one 1 x 191 1-wire mode is achieved.

2-wire mode:

channel>	<channel> output pins		to	<channel> input pins	
	a / b			a / b	
	(HI)	(Lo)		(HI)	(LO)
0	J200- A30 / B30			J200- A29 / B29	
1	J200- A30 / B30			J200- A28 / B28	
2	J200- A30 / B30			J200- A27 / B27	
3	J200- A30 / B30			J200- A26 / B26	
4	J200- A30 / B30			J200- A25 / B25	
5	J200- A30 / B30			J200- A24 / B24	
6	J200- A23 / B23			J200- A22 / B22	
7	J200- A23 / B23			J200- A21 / B21	
8	J200- A23 / B23			J200- A20 / B20	
9	J200- A23 / B23			J200- A19 / B19	
10	J200- A23 / B23			J200- A18 / B18	
11	J200- A23 / B23			J200- A17 / B17	
12	J200- A16 / B16			J200- A15 / B15	
13	J200- A16 / B16			J200- A14 / B14	
14	J200- A16 / B16			J200- A13 / B13	
15	J200- A16 / B16			J200- A12 / B12	
16	J200- A16 / B16			J200- A11 / B11	
17	J200- A16 / B16			J200- A10 / B10	
18	J200- A9 / B9			J200- A8 / B8	
19	J200- A9 / B9			J200- A7 / B7	
20	J200- A9 / B9			J200- A6 / B6	
21	J200- A9 / B9			J200- A5 / B5	
22	J200- A9 / B9			J200- A4 / B4	
23	J200- A9 / B9			J200- A3 / B3	
24	J202- A30 / B30			J202- A29 / B29	
25	J202- A30 / B30			J202- A28 / B28	
26	J202- A30 / B30			J202- A27 / B27	
27	J202- A30 / B30			J202- A26 / B26	
28	J202- A30 / B30			J202- A25 / B25	
29	J202- A30 / B30			J202- A24 / B24	

Table 3-1, 1260-35 Channel Closure (continued)

30	J202 A23 / B23	J202 A22 / B22
31	J202 A23 / B23	J202 A21 / B21
32	J202 A23 / B23	J202 A20 / B20
33	J202 A23 / B23	J202 A19 / B19
34	J202 A23 / B23	J202 A18 / B18
35	J202 A23 / B23	J202 A17 / B17
36	J202 A16 / B16	J202 A15 / B15
37	J202 A16 / B16	J202 A14 / B14
38	J202 A16 / B16	J202 A13 / B13
39	J202 A16 / B16	J202 A12 / B12
40	J202 A16 / B16	J202 A11 / B11
41	J202 A16 / B16	J202 A10 / B10
42	J202 A9 / B9	J202 A8 / B8
43	J202 A9 / B9	J202 A7 / B7
44	J202 A9 / B9	J202 A6 / B6
45	J202 A9 / B9	J202 AS / B5
46	J202 A9 / B9	J202 A4 / B4
47	J202 A9 / B9	J202 A3 / B3
48	J201 A30 / B30	J201 A29 / B29
49	J201 A30 / B30	J201 A28 / B28
50	J201 A30 / B30	J201 A27 / B27
51	J201 A30 / B30	J201 A26 / B26
52	J201 A30 / B30	J201 A25 / B25
53	J201 A30 / B30	J201 A24 / B24
54	J201 A23 / B23	J201 A22 / B22
55	J201 A23 / B23	J201 A21 / B21
56	J201 A23 / B23	J201 A20 / B20
57	J201 A23 / B23	J201 A19 / B19
58	J201 A23 / B23	J201 A18 / B18
59	J201 A23 / B23	J201 A17 / B17
60	J201 A16 / B16	J201 A15 / B15
61	J201 A16 / B16	J201 A14 / B14
62	J201 A16 / B16	J201 A13 / B13
63	J201 A16 / B16	J201 A12 / B12
64	J201 A16 / B16	J201 A11 / B11
65	J201 A16 / B16	J201 A10 / B10
66	J201 A9 / B9	J201 A8 / B8
67	J201 A9 / B9	J201 A7 / B7
68	J201 A9 / B9	J201 A6 / B6
69	J201 A9 / B9	J201 AS / B5
70	J201 A9 / B9	J201 A4 / B4
71	J201 A9 / B9	J201 A3 / B3
72	J203 A30 / B30	J203 A29 / B29
73	J203 A30 / B30	J203 A28 / B28
74	J203 A30 / B30	J203 A27 / B27
75	J203 A30 / B30	J203 A26 / B26
76	J203 A30 / B30	J203 A25 / B25
77	J203 A30 / B30	J203 A24 / B324

Table 3-1, 1260-35 Channel Closure (continued)

78	J203 A23 / B23	J203 A22 / B22
79	J203 A23 / B23	J203 A21 / B21
80	J203 A23 / B23	J203 A20 / B20
81	J203 A23 / B23	J203 A19 / B19
82	J203 A23 / B23	J203 A18 / B18
83	J203 A23 / B23	J203 A17 / B17
84	J203 A16 / B16	J203 A15 / B15
85	J203 A16 / B16	J203 A14 / B14
86	J203 A16 / B16	J203 A13 / B13
87	J203 A16 / B16	J203 A12 / B12
88	J203 A16 / B16	J203 A11 / B11
89	J203 A16 / B16	J203 A10 / B10
90	J203 A9 / B9	J203 A8 / B8
91	J203 A9 / B9	J203 A7 / B7
92	J203 A9 / B9	J203 A6 / B6
93	J203 A9 / B9	J203 A5 / B5
94	J203 A9 / B9	J203 A4 / B4
95	J203 A9 / B9	J203 A3 / B3

96 (not used in 2-wire mode)

4-wire mode:

<channel>	refer to the following 2-wire channels for the input/output pins	<channel>	refer to the following 2-wire channels for the input/output pins
0	0,48	24	24,72
1	1,49	25	25,73
2	2,50	26	26,74
3	3,51	27	27,75
4	4, 52	28	28,76
5	5,53	29	29,77
6	6, 54	30	30,78
7	7,55	31	31,79
8	8,56	32	32,80
9	9 , 57	33	33,81
10	10, 58	34	34,82
11	11,59	35	35,83
12	12,60	36	36,84
13	13,61	37	37,85
14	14,62	38	38,86
15	15,63	39	39,87
16	16, 64	40	40,88
17	17,65	41	41,89
18	18,66	42	42,90
19	19,67	43	43,91
20	20,68	44	44,92
21	21,69	45	45,93
22	22,70	46	46,94
23	23,71	47	47,95

96 (not used in 4-wire mode)

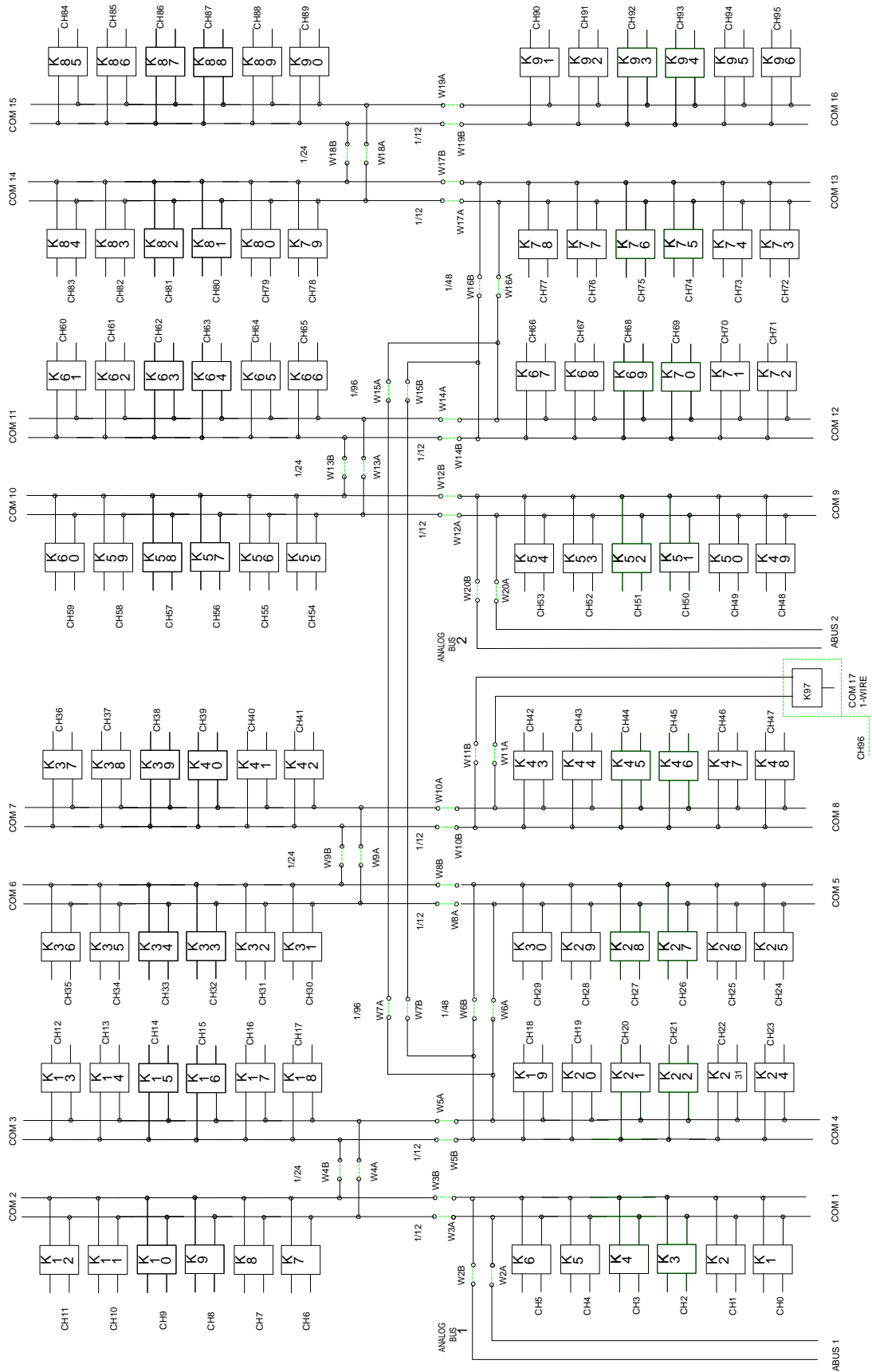


Figure 3-1, 1260-35 Block Diagram

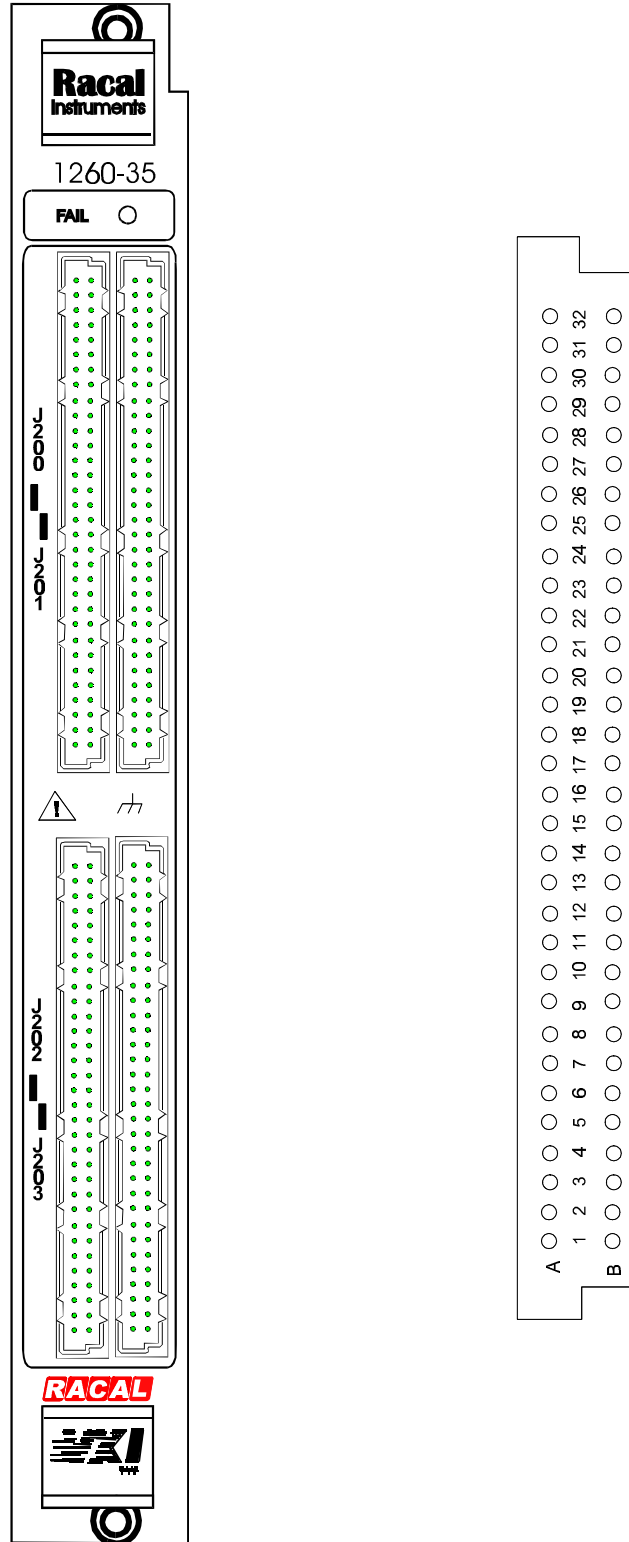
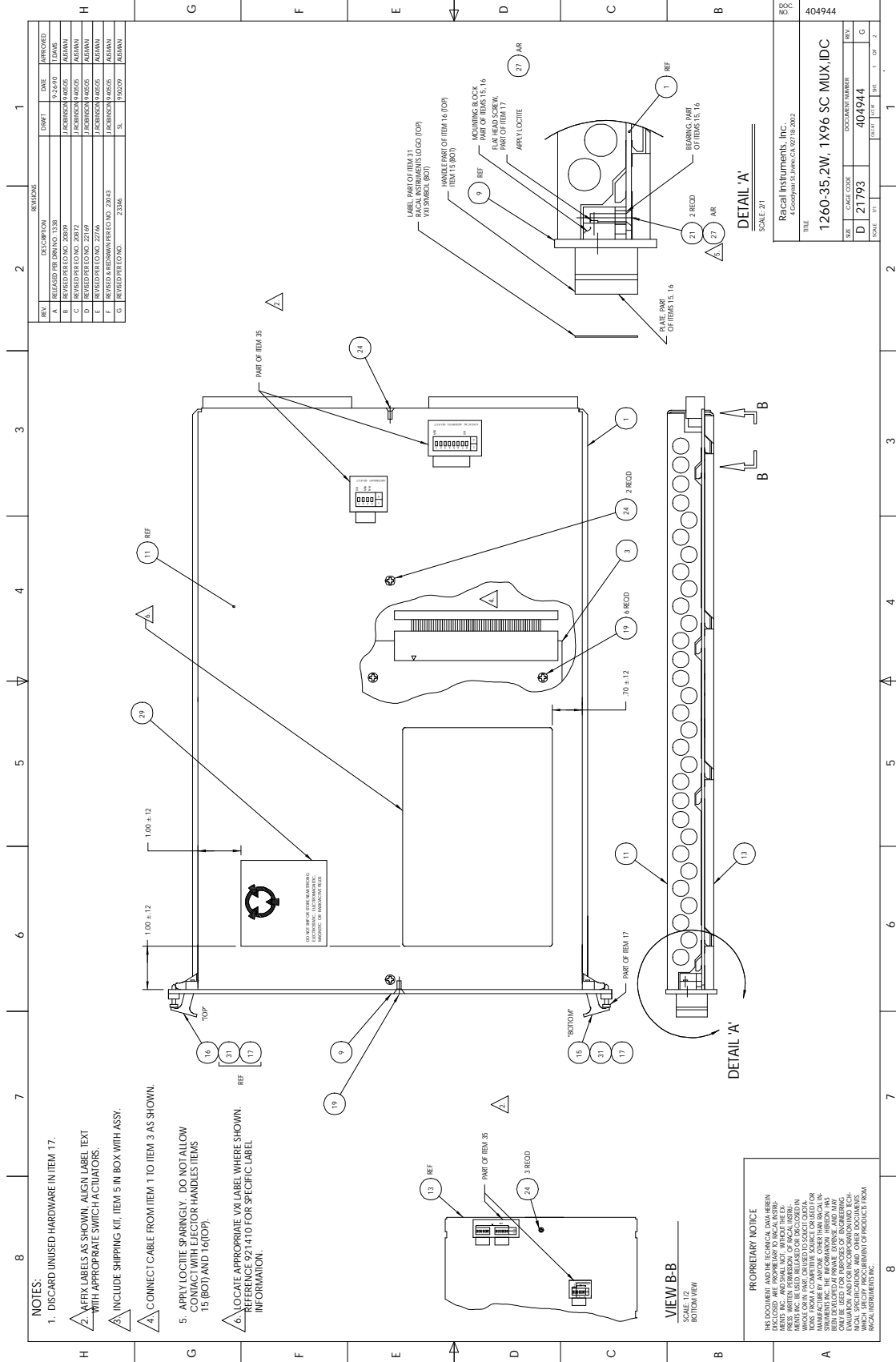


Figure 3-2, 1260-35 Pin Connections, Front View

Chapter 4

DRAWINGS

404944	Final Assy, 1260-35 (IDC Connectors)	4-3
404944-001	Final Assy, 1260-35A (Crimp Connectors)	4-4
401989	PCB Assy, 1260-35.....	4-5
431989	Schematic, 1260-35.....	4-7
401992	PCB Assy, 1260-35D.....	4-24
431992	Schematic, 1260-35D.....	4-25



- NOTES:**
1. DISCARD UNUSED HARDWARE IN ITEM 17.
 2. APPLY LABELS AS SHOWN. ALIGN LABEL TEXT WITH APPROPRIATE SWITCH ACTUATORS.
 3. INCLUDE SHIPPING KIT, ITEM 5 IN BOX WITH ASSY.
 4. CONNECT CABLE FROM ITEM 1 TO ITEM 3 AS SHOWN.
 5. APPLY LOCTITE SPARINGLY. DO NOT ALLOW CONTACT WITH EJECTOR HANDLES ITEMS 15 (BOT) AND 16 (TOP).
 6. LOCATE APPROPRIATE VXI LABEL WHERE SHOWN. REFERENCE 921410 FOR SPECIFIC LABEL INFORMATION.

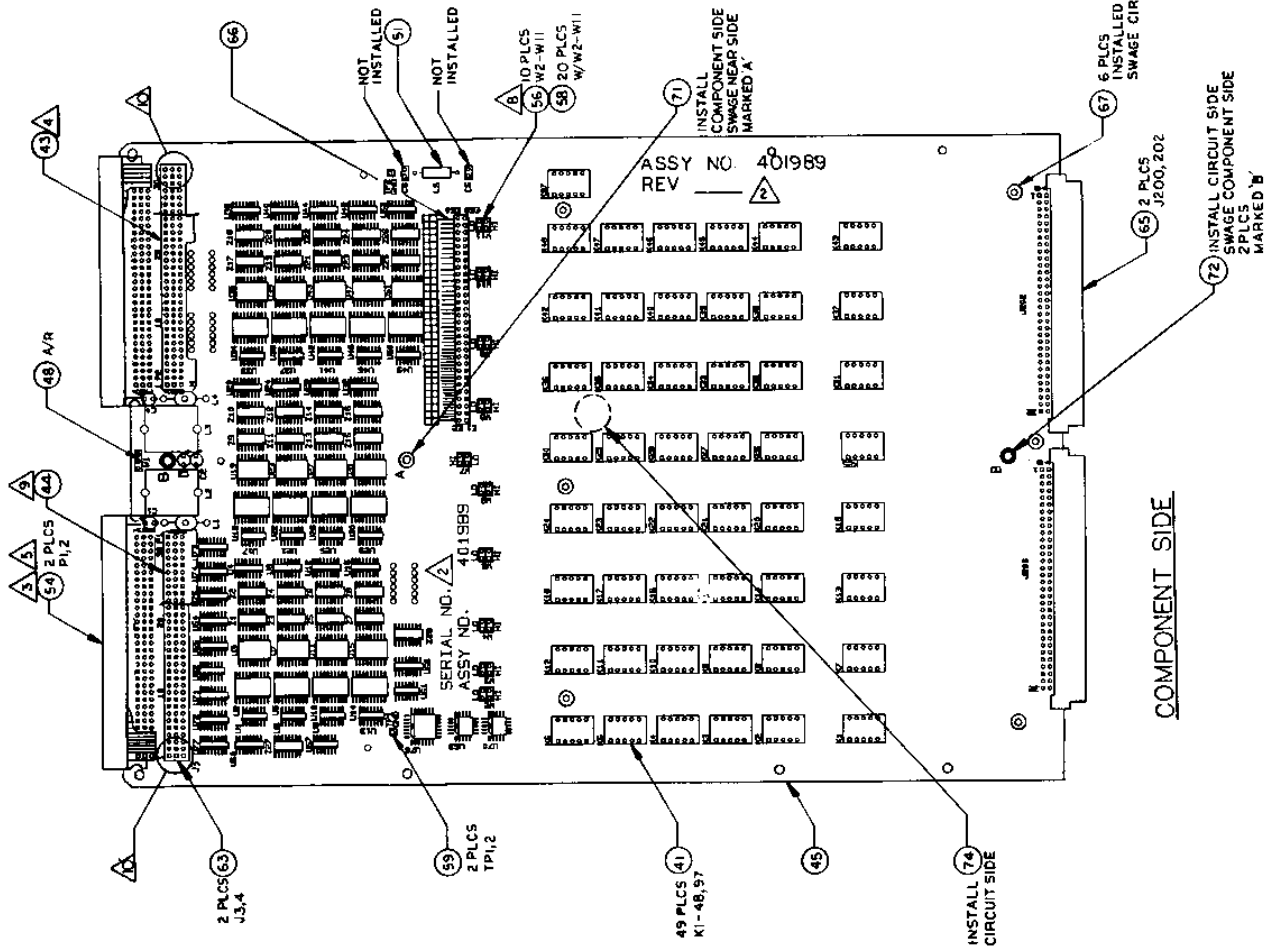
PROPRIETARY NOTICE

THE SOFTWARE AND HARDWARE DESCRIBED IN THIS DOCUMENT ARE PROPRIETARY TO RECAL INSTRUMENTS, INC. AND SHALL NOT, WITHOUT THE EXPRESS WRITTEN PERMISSION OF RECAL INSTRUMENTS, INC. BE REPRODUCED OR TRANSMITTED IN ANY FORM OR BY ANY MEANS, ELECTRONIC OR MECHANICAL, INCLUDING PHOTOCOPYING, RECORDING, OR BY ANY INFORMATION STORAGE AND RETRIEVAL SYSTEM. THE INFORMATION HEREON HAS BEEN DEVELOPED AT PRIVATE EXPENSE AND MAY BE SUBJECT TO PATENT AND TRADE SECRET RIGHTS. EVALUATION AND/OR REPRODUCTION WITHOUT RECAL INSTRUMENTS, INC. IS PROHIBITED.

- △ 10 SOLDER TAILS ON CIRCUIT SIDE OF PCB FOR J3 AND J4 (ITEM 63) 3 ROWS (9 PINS) NEAREST EDGE OF PCB TO BE TRIMMED TO A MAXIMUM HEIGHT OF .045.
- △ 9 INSTALL (ITEM 44) PCB INTO (ITEM 63) J3.
- △ 8 INSTALL PLUG-JUMPER (ITEM 58) ONTO W2-W11 (ITEM 56) AS SHOWN.
- △ 7 SET SW2 & SW3 (ITEM 62) TO ON POSITION. DO NOT WAVE SOLDER.
- △ 6 SET SW1 (ITEM 62) TO LOGICAL ADDRESS 1 PER TABLE 1. ALSO SET SW1 POSITION 5 TO ON. DO NOT WAVE SOLDER.
- △ 5 P1 AND P2 MUST BE INSTALLED FLUSH AT RIGHT ANGLE TO PCB.
- △ 4 INSTALL (ITEM 43) PCB INTO (ITEM 63) J4.
- △ 3 SOLDER TAILS ON CIRCUIT SIDE OF PCB FOR P1,P2 (ITEM 54) TO BE TRIMMED TO A MAX. HEIGHT OF .045.
- △ 2 INK STAMP SERIAL NUMBER, ASSY NUMBER & CURRENT REVISION ON COMPONENT SIDE APPROX. WHERE SHOWN.

1. REFERENCE SCHEMATIC 431989.

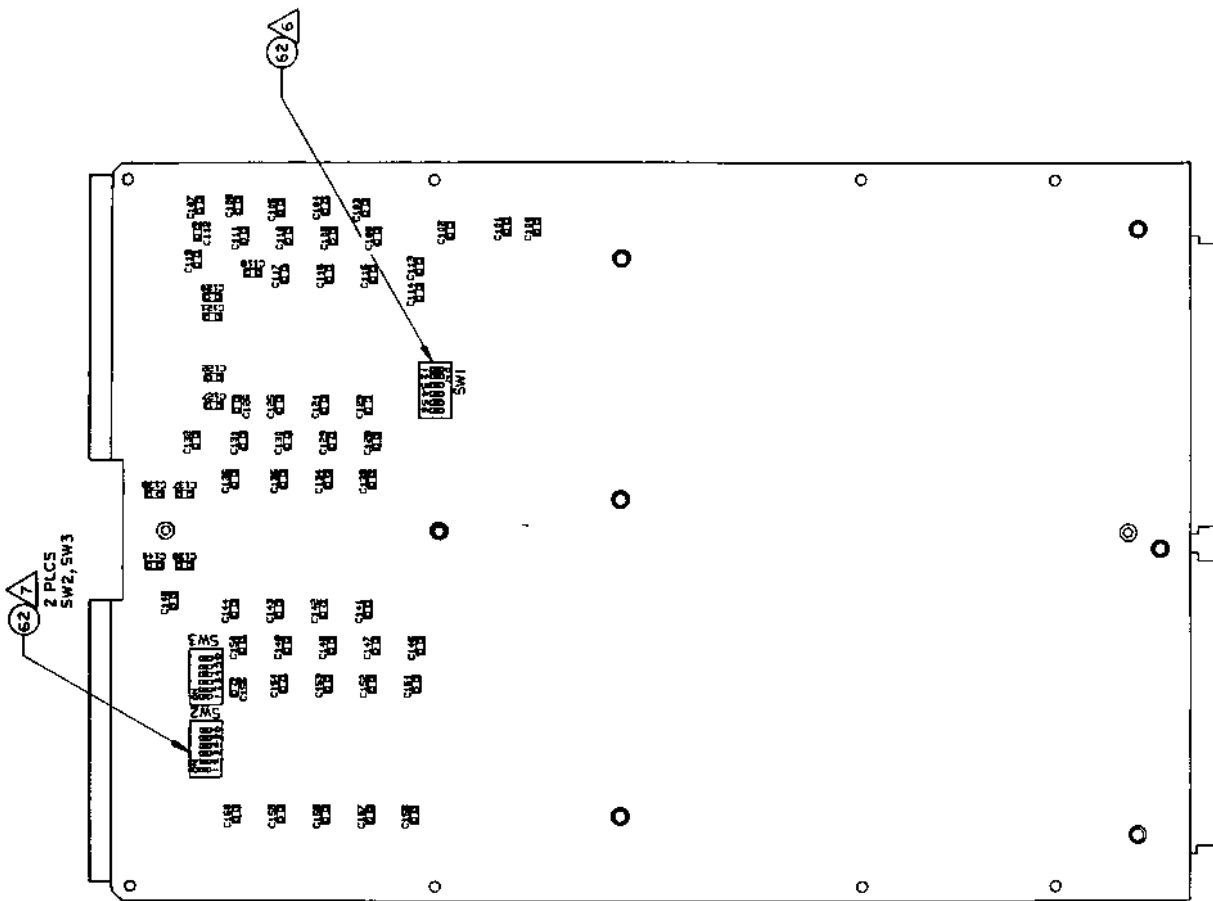
NOTES: UNLESS OTHERWISE SPECIFIED



PROPRIETARY NOTICE
 THIS DOCUMENT AND THE TECHNICAL DATA HEREIN ARE THE PROPERTY OF RACAL INSTRUMENTS, INC. NO PART OF THIS DOCUMENT IS TO BE REPRODUCED, COPIED, OR TRANSMITTED IN ANY FORM OR BY ANY MEANS, WITHOUT THE WRITTEN PERMISSION OF RACAL INSTRUMENTS, INC. THIS DOCUMENT IS TO BE USED AS A GUIDE ONLY AND IS NOT TO BE USED AS A BASIS FOR THE DESIGN OR CONSTRUCTION OF ANY EQUIPMENT. RACAL INSTRUMENTS, INC. HAS THE INFORMATION HEREIN AS A TRADE SECRET AND IT IS THE POLICY OF RACAL INSTRUMENTS, INC. TO PROTECT THIS INFORMATION. RACAL INSTRUMENTS, INC. IS NOT RESPONSIBLE FOR ANY DAMAGE OR LOSS OF DATA OR INFORMATION THAT MAY BE CAUSED BY THE USE OF THIS DOCUMENT. RACAL INSTRUMENTS, INC. IS NOT RESPONSIBLE FOR ANY DAMAGE OR LOSS OF DATA OR INFORMATION THAT MAY BE CAUSED BY THE USE OF THIS DOCUMENT. RACAL INSTRUMENTS, INC. IS NOT RESPONSIBLE FOR ANY DAMAGE OR LOSS OF DATA OR INFORMATION THAT MAY BE CAUSED BY THE USE OF THIS DOCUMENT.

DOCUMENT TITLE			
Racal Instruments, Inc.			
4 Goodyear St., Irvine, CA. 92718-2002			
PCB ASSY, 1260-35			
SIZE	CODE IDENT NO.	DOCUMENT NO.	REV.
D	21793	401989	D
SCALE	—	SHEET	1 OF 5

SIZE	CODE IDENT NO.	DOCUMENT NO.	REV.
D	21793	401989	D
SCALE	--	SHEET	2 OF 5

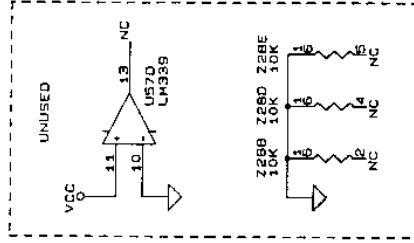


CIRCUIT SIDE

U76	231154 (22V10H)	28	14
U75	26LS91	16	8
U73, 74	26LS32	16	8
U71, 72, 77	74HCT253	15	8
U70	231152-001 (16L80)	20	10
U57	LM339	3	12
U56	74HCT05	16	8
U54, 55	74LS139	16	8
U53	231153 (16R4)	20	10
U4, 8, 12, 16, 20, 24, 28	74HCT166	16	8
U32, 36, 40, 44, 48, 52, 60			
U3, 7, 11, 15, 19, 23	2803	NC	8
U27, 31, 35, 39, 43, 47, 51			
U2, 6, 10, 14, 18, 22	74HCT273	20	10
U26, 30, 34, 38, 42, 46, 50			
U1, 5, 9, 13, 17, 21, 25, 29	74HCT164	14	7
U33, 37, 41, 45, 49, 53, 62			
REF. DES.	IC TYPE	+5V PIN NO.	GND PIN NO.

IC POWER AND GROUND CONNECTIONS

Z88	
M11	
U77	
TP2	
SW3	
P2	
L5	
K97	
J202	
E60	
C160	
HIGHEST REF. DES.	



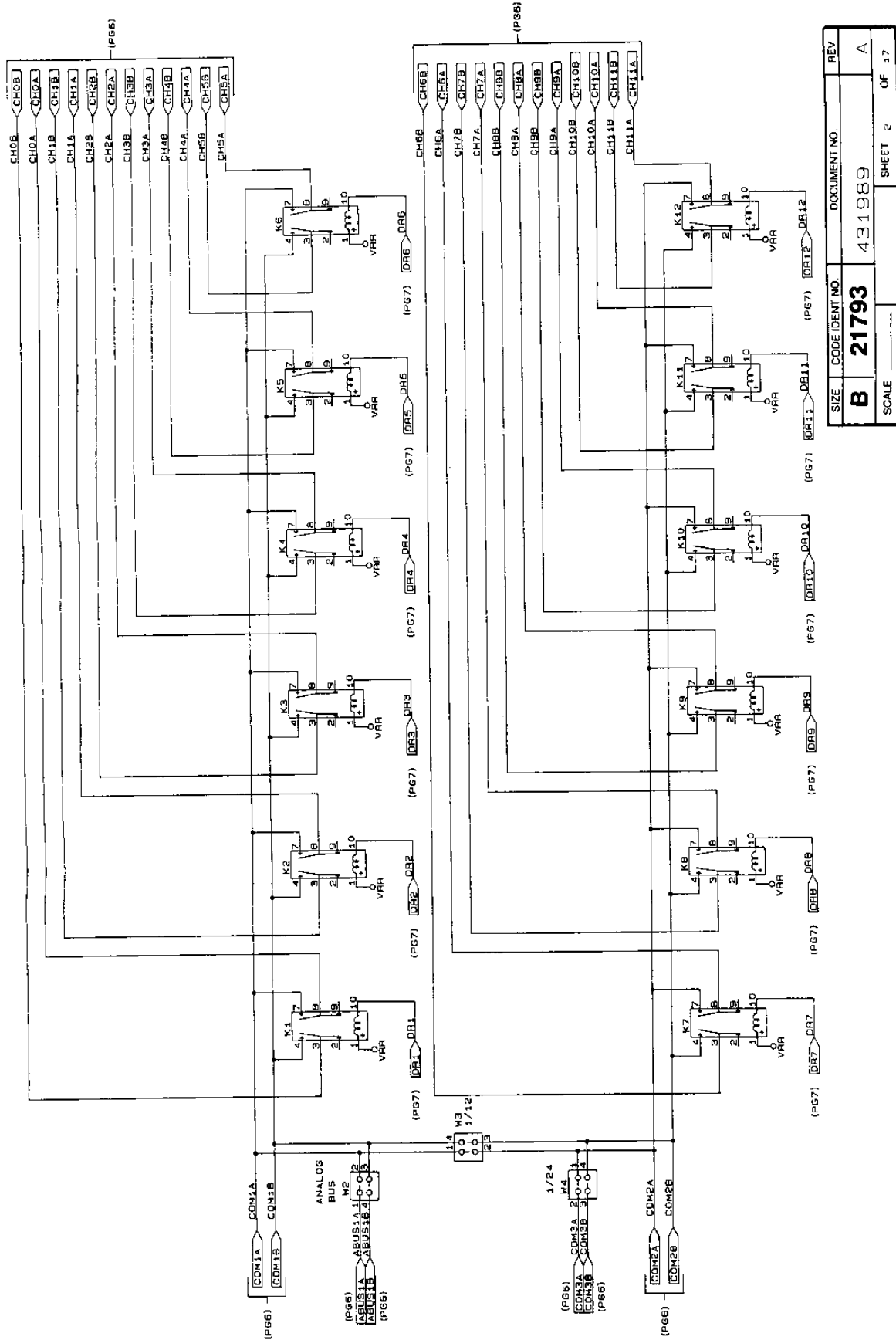
△ C5 AND C6 ARE NOT INSTALLED.

- RELAYS K1 THRU K48, K97 ARE RACAL P/N 310197. ALL RELAYS SHOWN IN DE-ENERGIZED POSITION.
- RESISTOR NETWORKS ARE IN OHMS.
- CAPACITOR VALUES ARE IN MICROFARADS. 50V. +/-20% UNLESS OTHERWISE SPECIFIED.

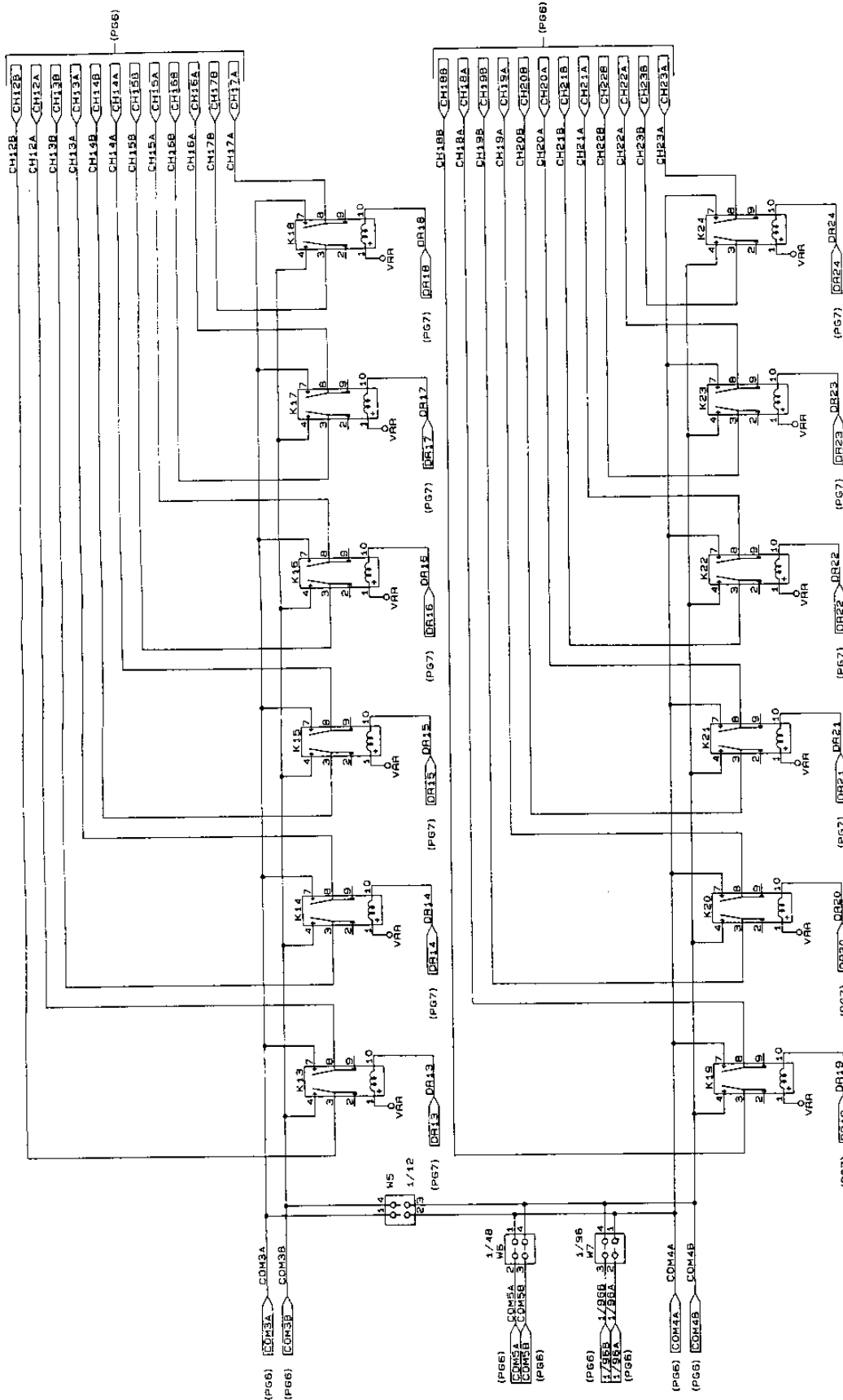
NOTES: UNLESS OTHERWISE SPECIFIED

Racal Instruments, Inc. 4 Goodyear St., Irvine, CA. 92718-2002	
DOCUMENT TITLE	
SCHEM, 1260-35	
SIZE	CODE IDENT NO.
B	21793
DOCUMENT NO	REV
431989	A
SCALE	SHEET 1 OF 17

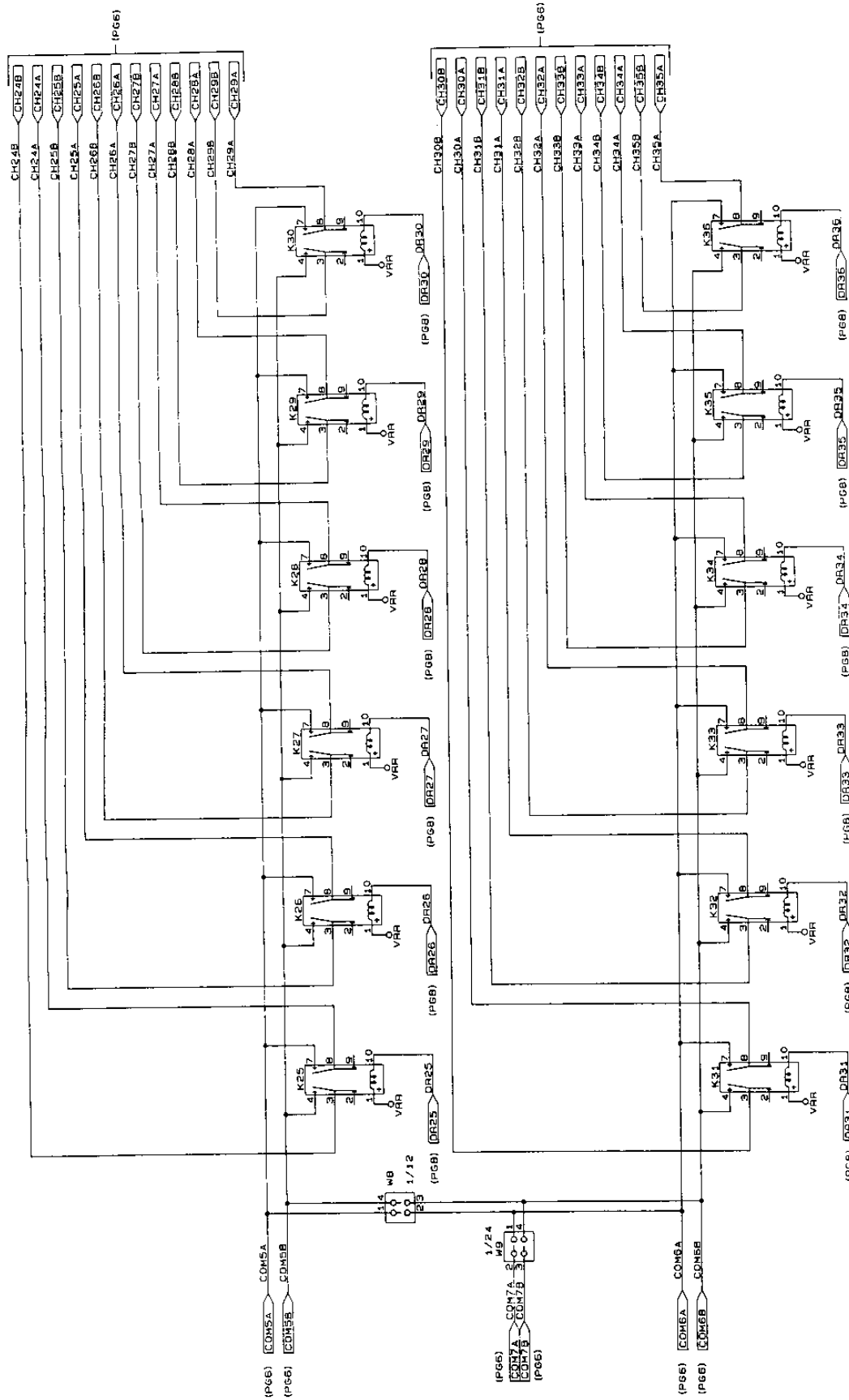
PROPRIETARY NOTICE
THIS DOCUMENT AND THE TECHNICAL DATA HEREIN DISCLOSED ARE PROPRIETARY TO RACAL INSTRUMENTS, INC. AND SHALL NOT BE REPRODUCED, COPIED, WRITTEN, PERMITTED, RELEASED OR DISCLOSED IN ANY MANNER WITHOUT THE EXPRESS WRITTEN PERMISSION OF RACAL INSTRUMENTS, INC. THIS NOTICE IS APPLICABLE TO ALL INFORMATION FROM A COMPETITIVE SOURCE OF USED FOR MANUFACTURE BY ANYONE OTHER THAN RACAL INSTRUMENTS, INC. THE INFORMATION HEREON HAS BEEN DEVELOPED FOR PRIVATE USE AND IS NOT BE EVALUATED AND FOR INCORPORATION INTO TECHNICAL SPECIFICATIONS AND OTHER DOCUMENTS WHICH SPECIFY PROCUREMENT OF PRODUCTS FROM RACAL INSTRUMENTS, INC.



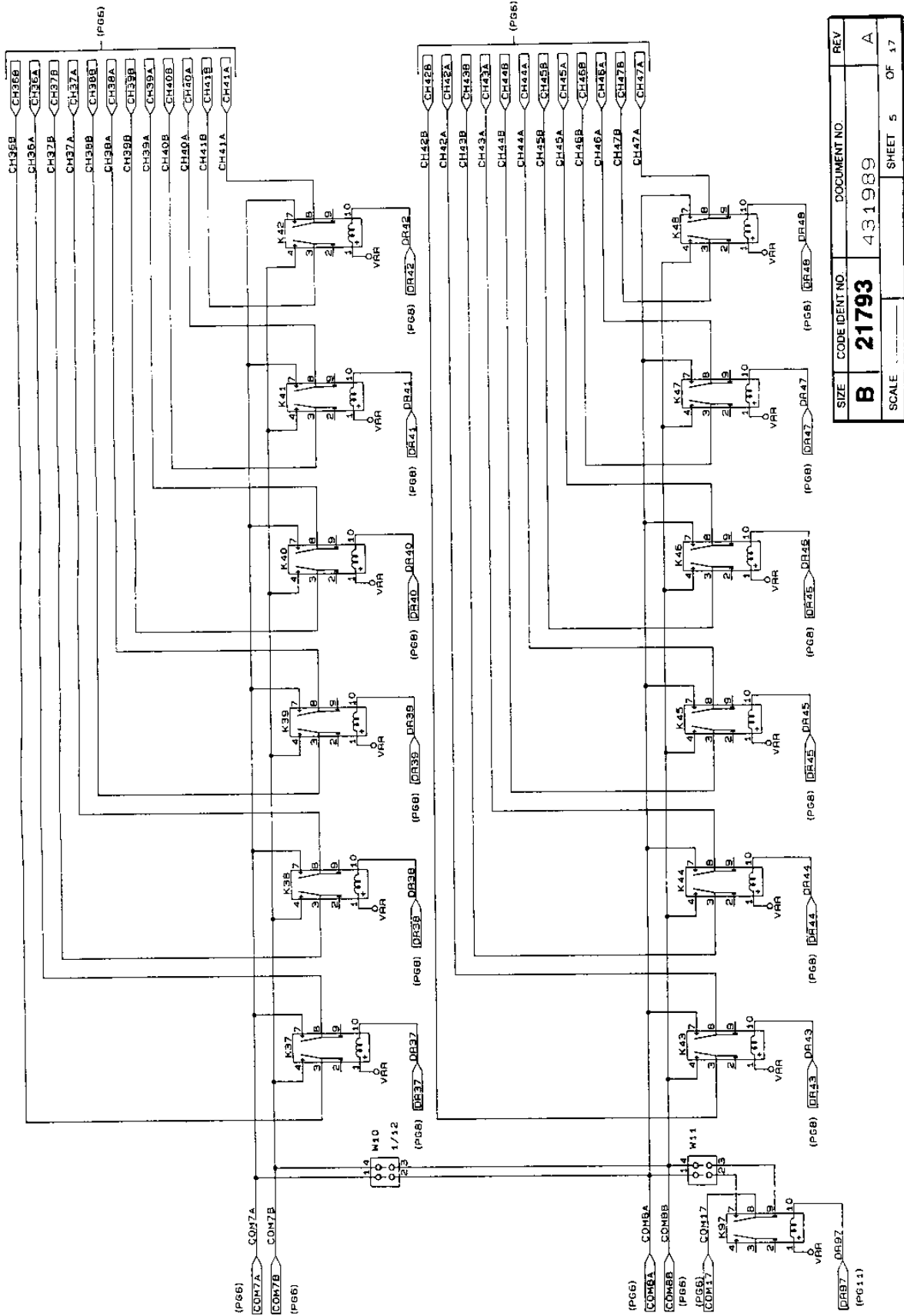
SIZE	CODE IDENT NO.	DOCUMENT NO.	REV
B	21793	431989	A
SCALE		SHEET 2	OF 17



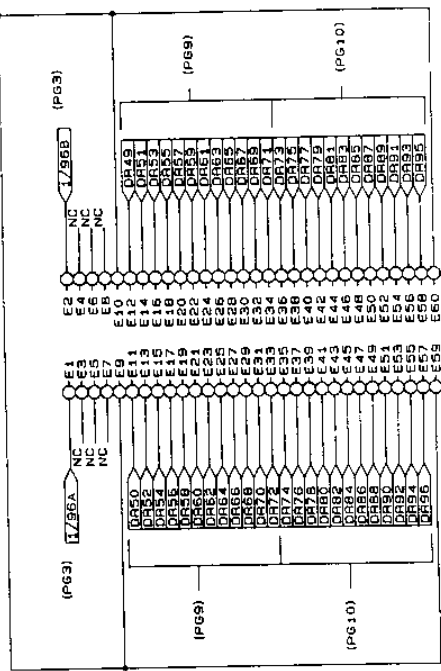
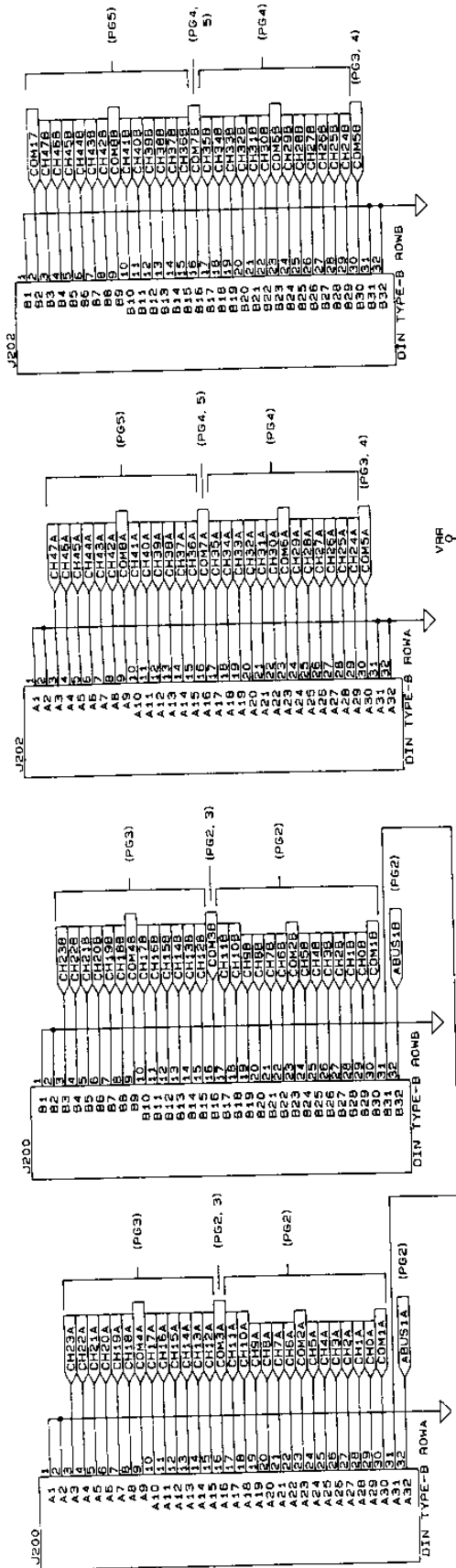
SIZE	CODE IDENT NO.	DOCUMENT NO.	REV
B	21793	431989	A
SCALE		SHEET 3	OF 17



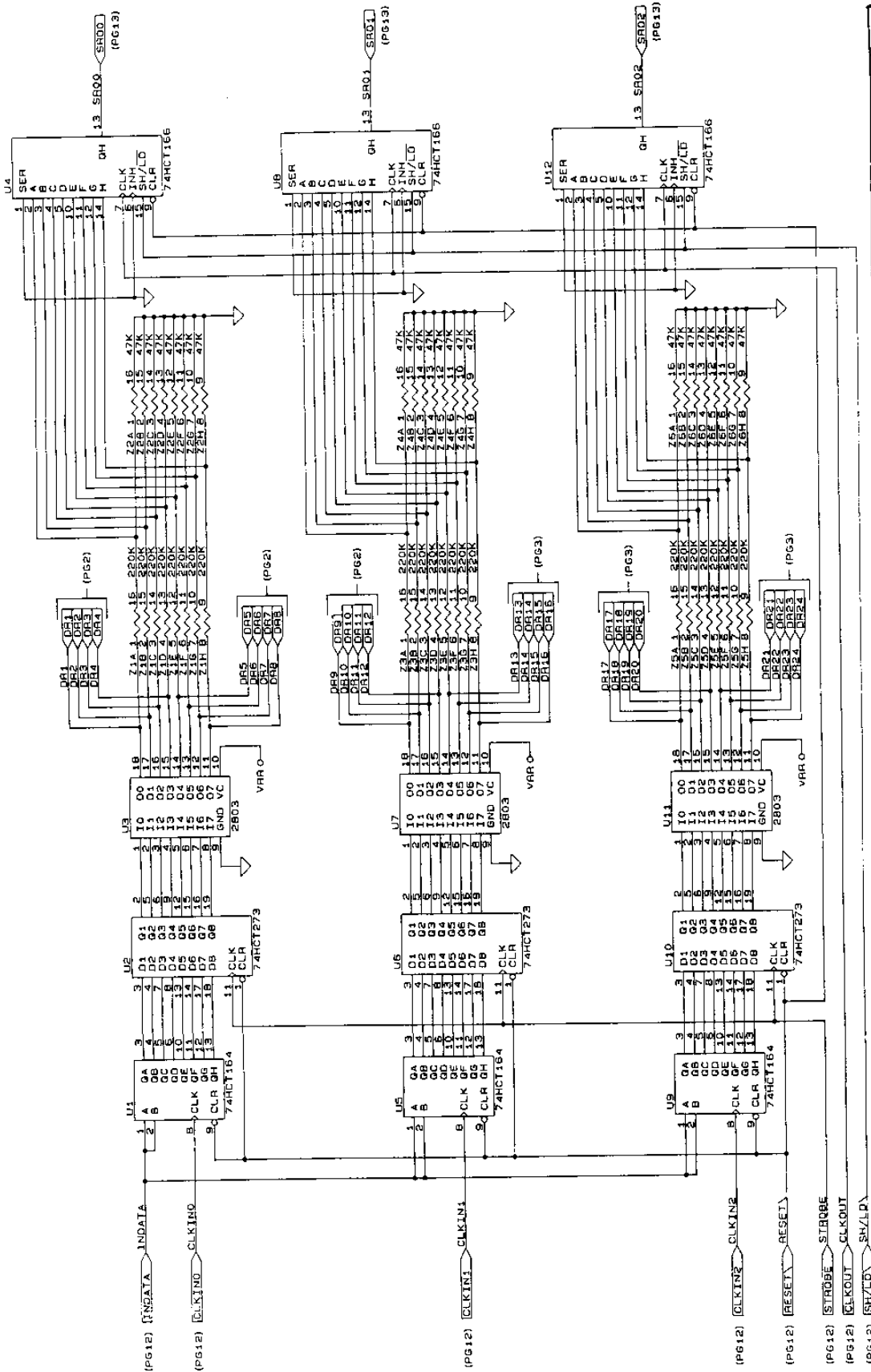
SIZE	CODE IDENT NO	DOCUMENT NO.	REV
B	21793	431989	A
SCALE		SHEET 4	OF 17



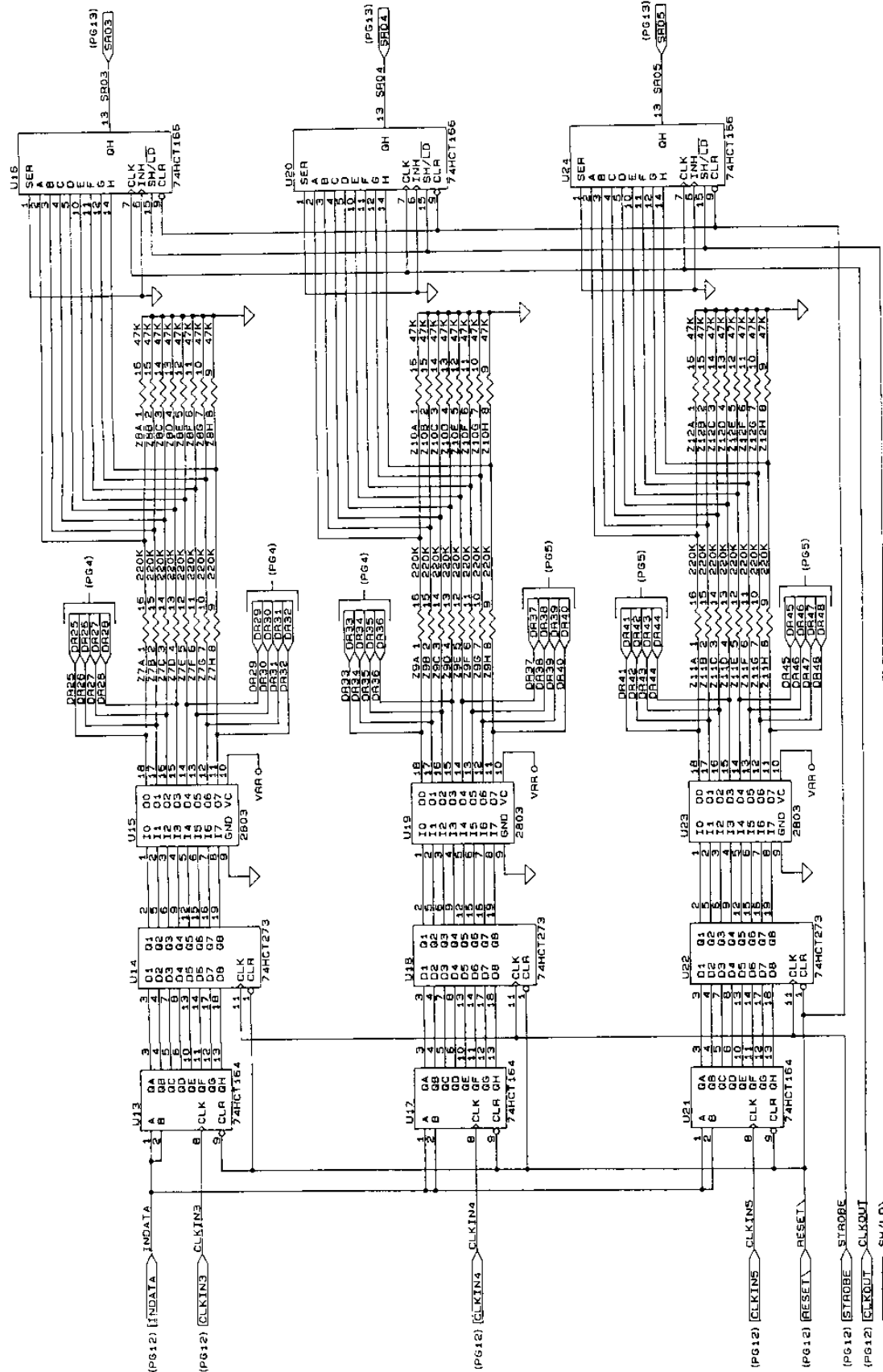
SIZE	CODE IDENT NO.	DOCUMENT NO.	REV
B	21793	431989	A
SCALE		SHEET 5	OF 17



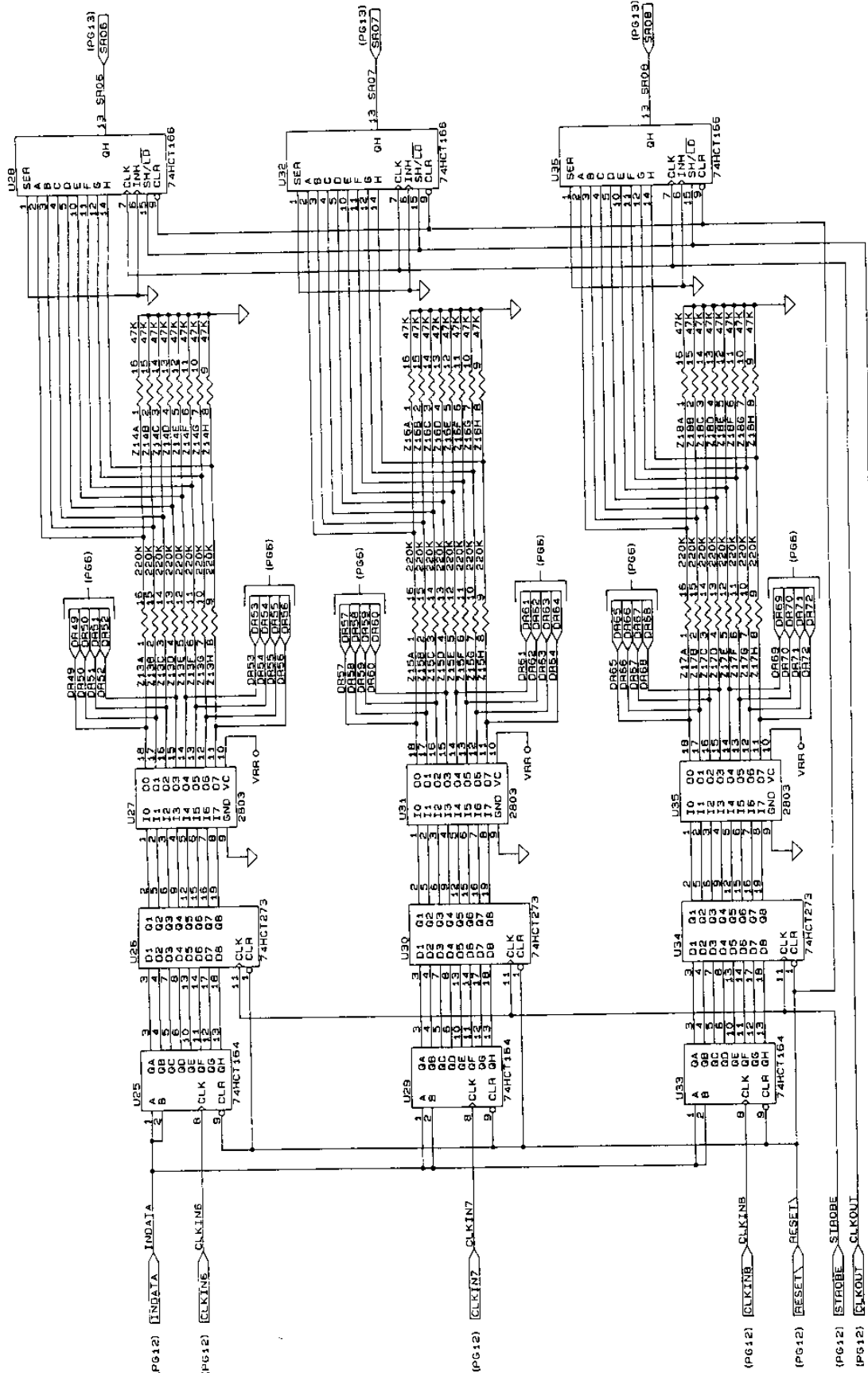
SIZE	CODE IDENT NO.	DOCUMENT NO.	REV.
B	21793	431989	A
SCALE		SHEET 6	OF 17



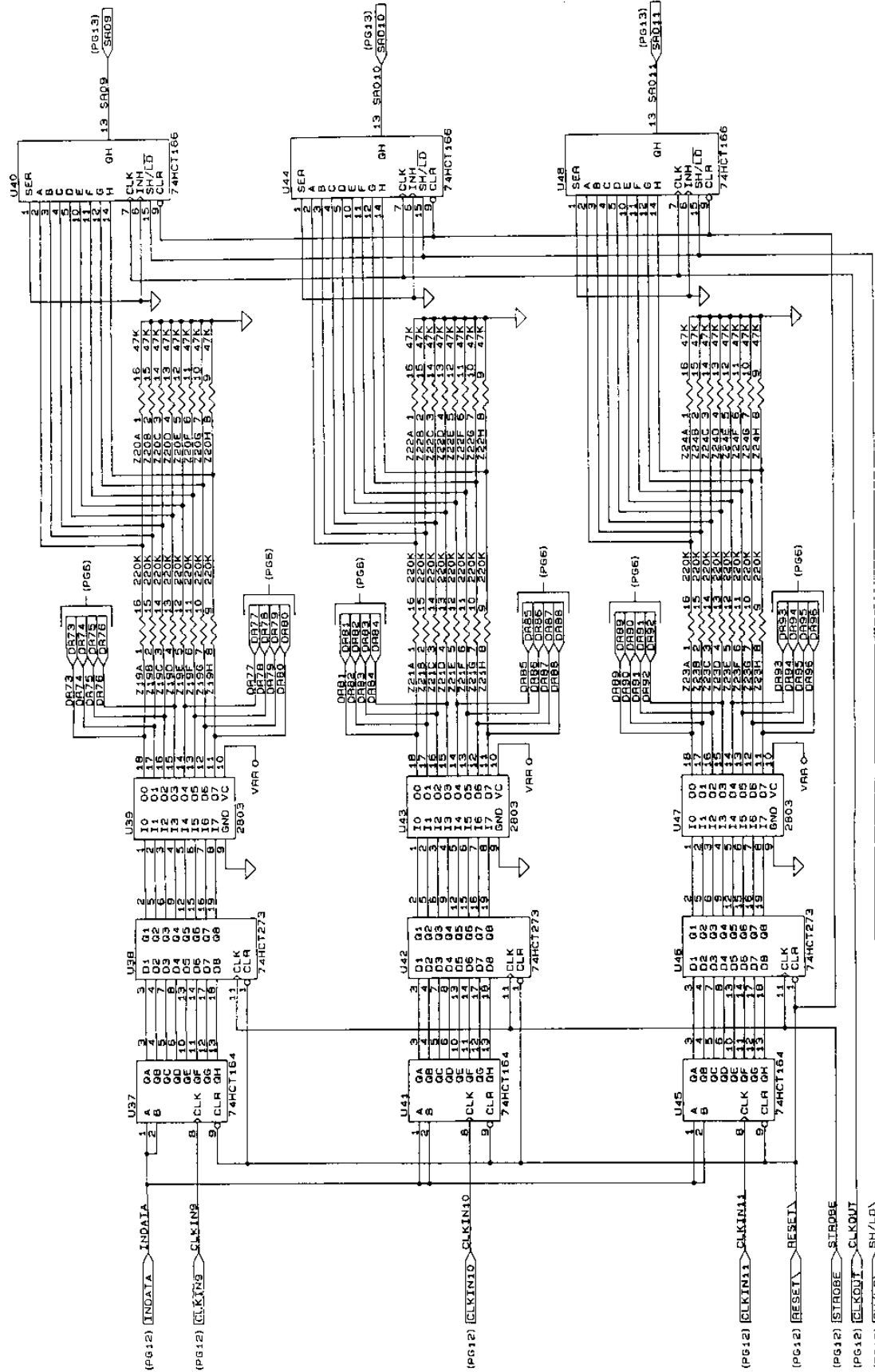
SIZE	CODE IDENT NO	DOCUMENT NO	REV
B	21793	431989	A
SCALE		SHEET 7	OF 17



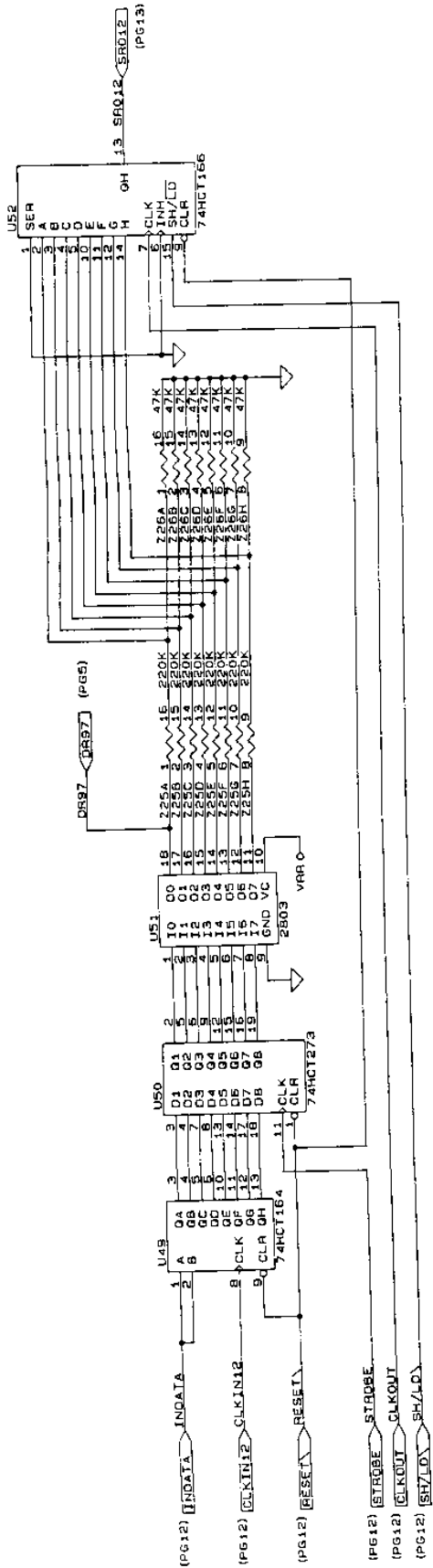
SIZE	CODE IDENT NO	DOCUMENT NO	REV
B	21793	431989	A
SCALE		SHEET B	OF 17



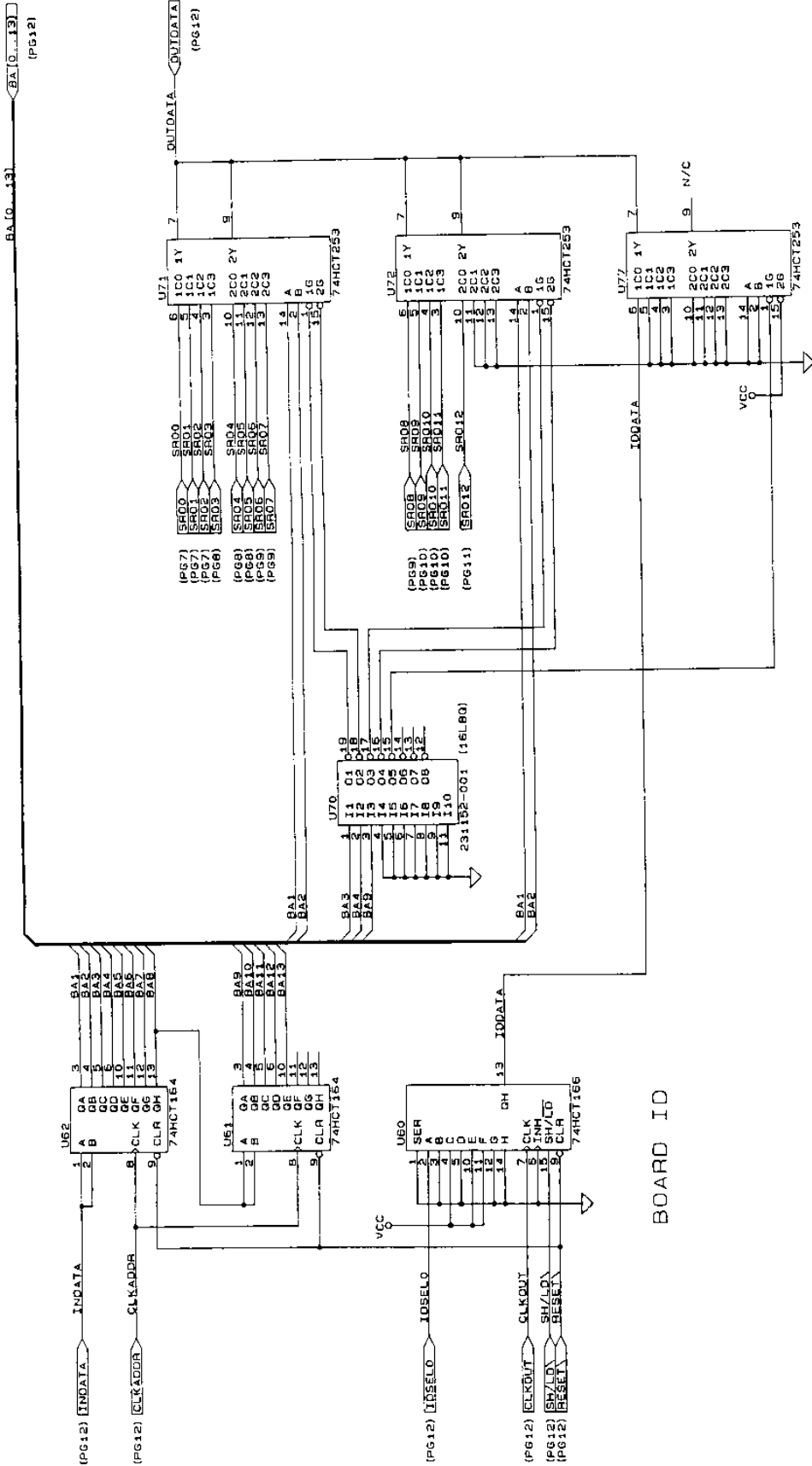
SIZE	CODE IDENT NO.	DOCUMENT NO.	REV.
B	21793	431989	A
SCALE		SHEET 9	OF 17



SIZE	CODE IDENT NO	DOCUMENT NO.	REV.
B	21793	431989	A
SCALE		SHEET 10	OF 17

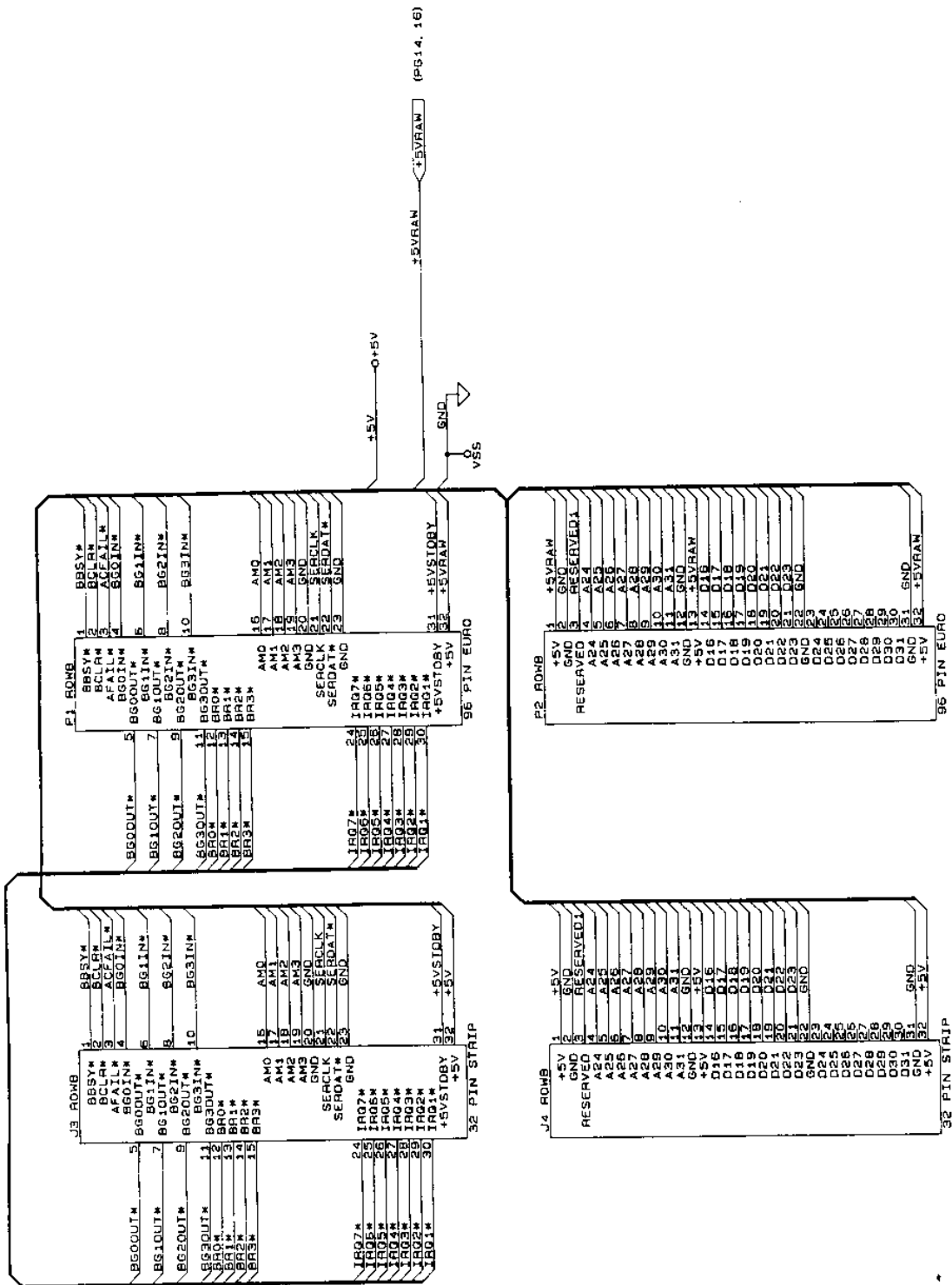


SIZE	CODE IDENT NO.	DOCUMENT NO.	REV.
B	21793	431989	A
SCALE		SHEET 11	OF 17

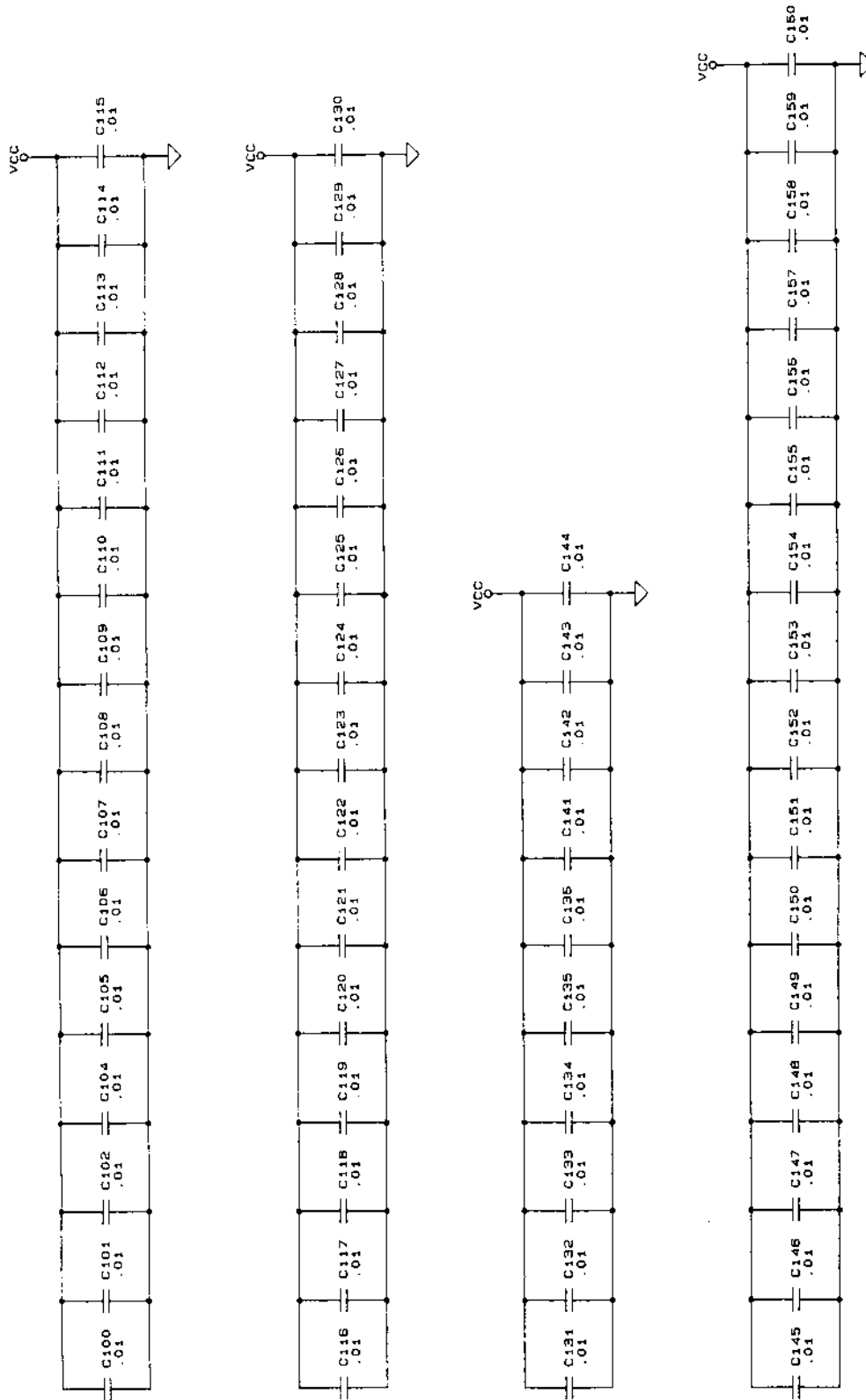


BOARD ID

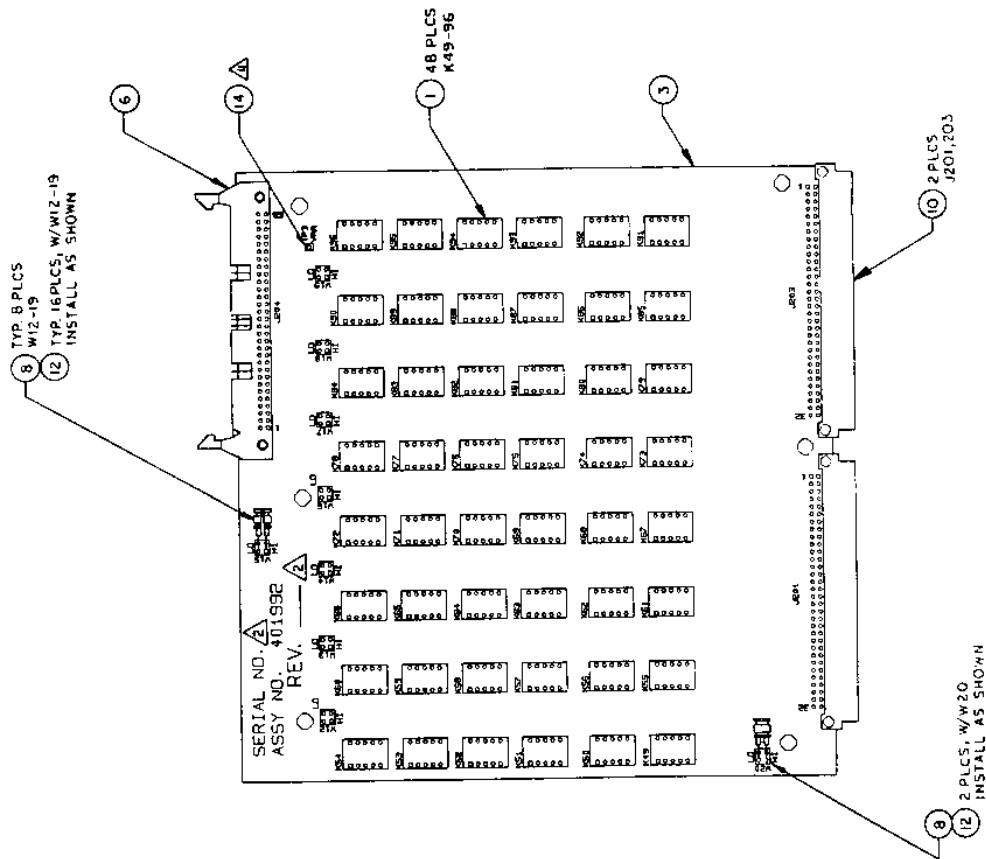
SIZE	CODE IDENT NO	DOCUMENT NO.	REV.
B	21793	431989	A
SCALE		SHEET 13	OF 17



SIZE	CODE IDENT NO.	DOCUMENT NO.	REV
B	21793	431989	A
SCALE		SHEET 15	OF 17



SIZE	CODE IDENT NO.	DOCUMENT NO.	REV.
B	21793	431989	A
SCALE		SHEET 17	OF 17



PROPRIETARY NOTICE
 THIS DOCUMENT AND THE TECHNICAL DATA HEREIN DISCLOSED ARE PROPRIETARY TO RACAL INSTRUMENTS INC. AND SHALL NOT BE REPRODUCED, COPIED, EITHER WHOLE OR IN PART, OR USED TO REPRODUCE OR DISCLOSE IN ANY MANNER TO ANYONE OTHER THAN RACAL INSTRUMENTS INC. WITHOUT THE WRITTEN PERMISSION OF RACAL INSTRUMENTS INC. THIS NOTICE IS NOT VALID FOR THE PURPOSES OF ENGINEERING EVALUATION AND FOR PURPOSES OF OTHER INDUSTRIAL WHICH SPECIFY A PROCEDURE OF PRODUCTS FROM RACAL INSTRUMENTS INC.

Racal Instruments, Inc.			
4 Goodyear St., Irvine, CA. 92718-2002			
DOCUMENT TITLE			
PCB ASSY, 1260-35D			
SIZE	CODE IDENT NO.	DOCUMENT NO.	REV.
D	21793	401992	C
SCALE		SHEET	OF
		1	2

- ⚠ TP3 TO BE TRIMMED TO A MAX. HEIGHT OF .30.
 - 3. ALL SOLDER TAILS ON CIRCUIT SIDE OF PCB TO BE TRIMMED TO A MAX. HEIGHT OF .055.
 - ⚠ INK STAMP SERIAL NUMBER, ASSY NUMBER & CURRENT REVISION ON COMPONENT SIDE IN INDICATED AREAS.
 - 1 REFERENCE SCHEMATIC 431992.
- NOTES UNLESS OTHERWISE SPECIFIED

W20
J204
K96
HIGHEST REF. DES.

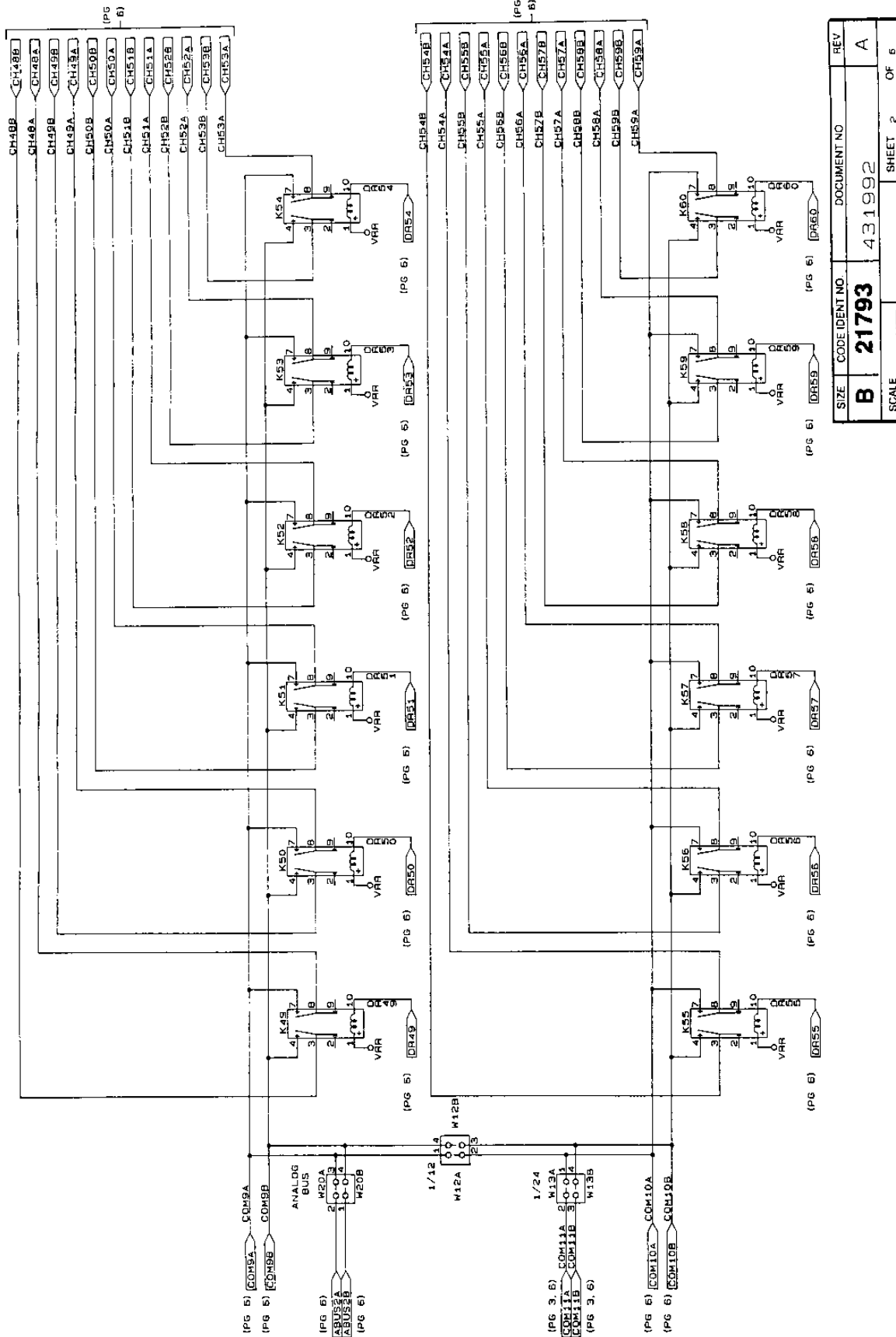
PROPRIETARY NOTICE

THIS DOCUMENT AND THE TECHNICAL DATA HEREIN DISCLOSED ARE PROPRIETARY TO RACAL INSTRUMENTS, INC. AND SHALL NOT, WITHOUT THE EXPLICIT WRITTEN PERMISSION OF RACAL INSTRUMENTS, INC. BE USED, REPRODUCED, COPIED, TRANSMITTED, OR DISCLOSED IN WHOLE OR IN PART, OR USED TO SOLICIT QUOTATIONS FROM A COMPETITIVE SOURCE OR USED FOR MANUFACTURE BY ANYONE OTHER THAN RACAL INSTRUMENTS, INC. THE INFORMATION CONTAINED HEREIN IS BEING DEVELOPED AT PRIVATE EXPENSE AND MAY ONLY BE USED FOR PURPOSES OF ENGINEERING EVALUATION AND FOR INCORPORATION INTO TECHNICAL SPECIFICATIONS AND OTHER DOCUMENTS WHICH SPECIFY PROCUREMENT OF PRODUCTS FROM RACAL INSTRUMENTS, INC.

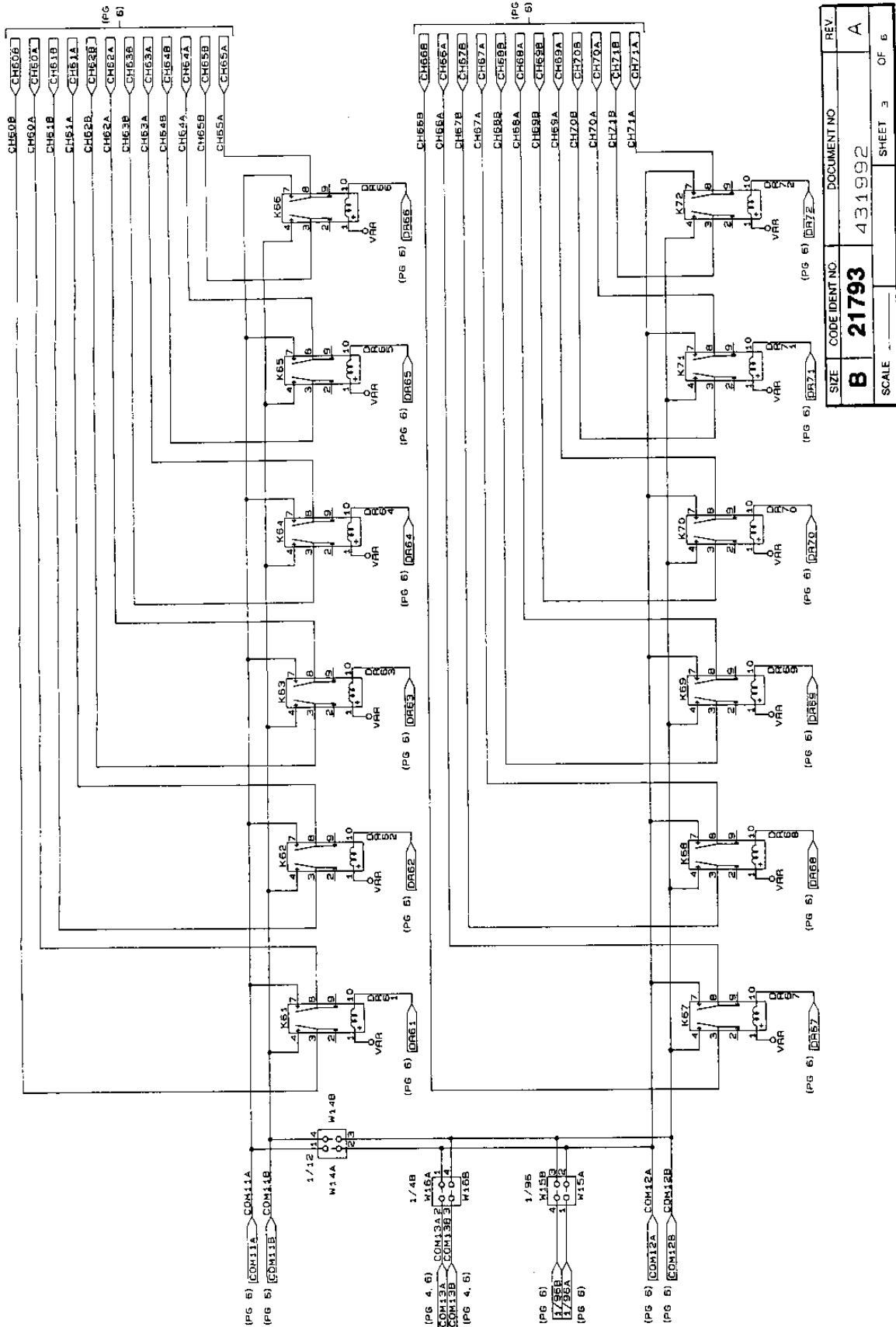
- RELAYS K49 THRU K96 ARE RACAL P/N 310197.
ALL RELAYS SHOWN IN DE-ENERGIZED POSITION.

NOTES: UNLESS OTHERWISE SPECIFIED

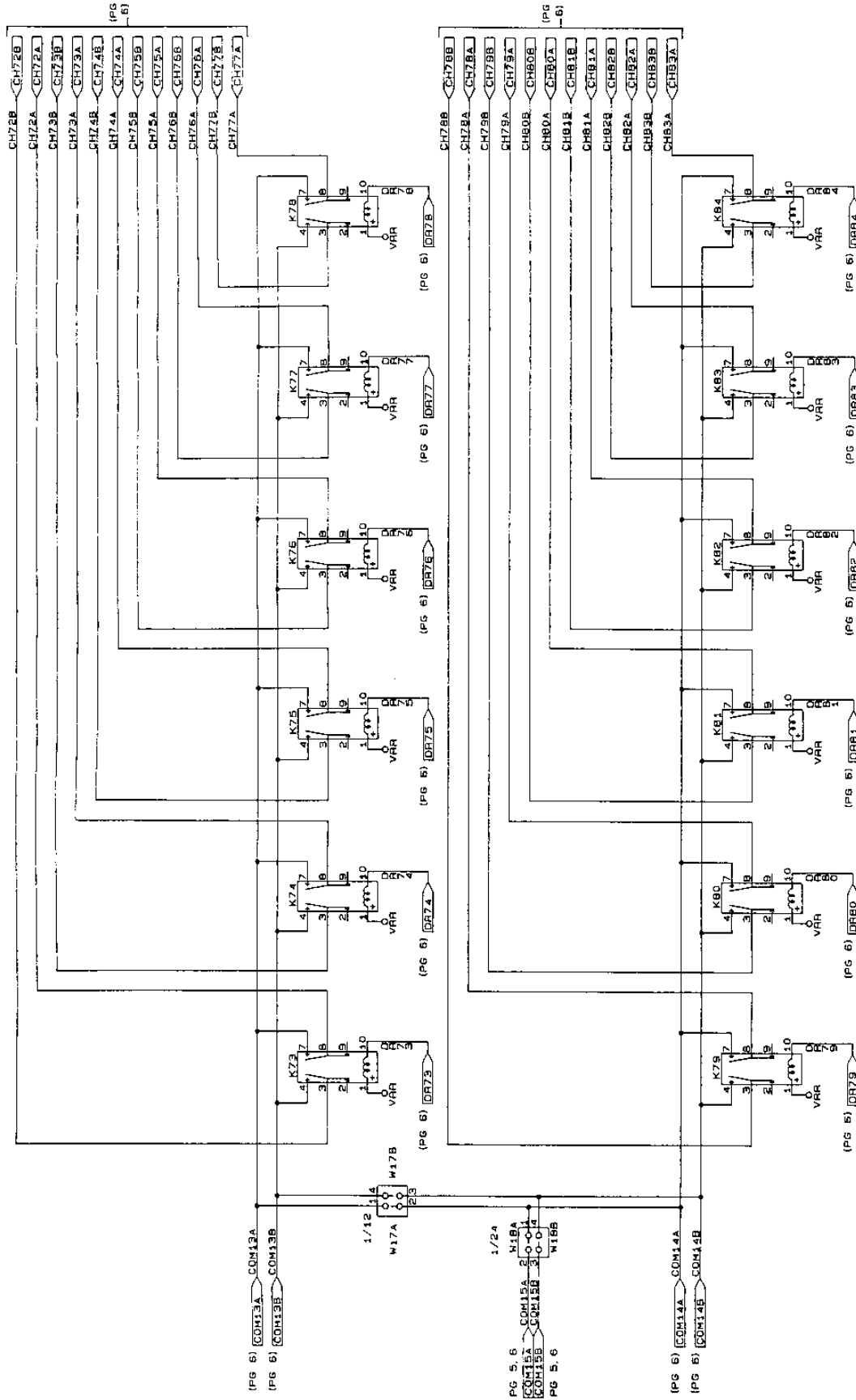
Racal Instruments, Inc.			
4 Goodyear St., Irvine, CA. 92718-2002			
DOCUMENT TITLE			
SCHEM, 1260-35D			
SIZE	CODE IDENT NO	DOCUMENT NO	REV
B	21793	431992	A
SCALE		SHEET 1	OF 6



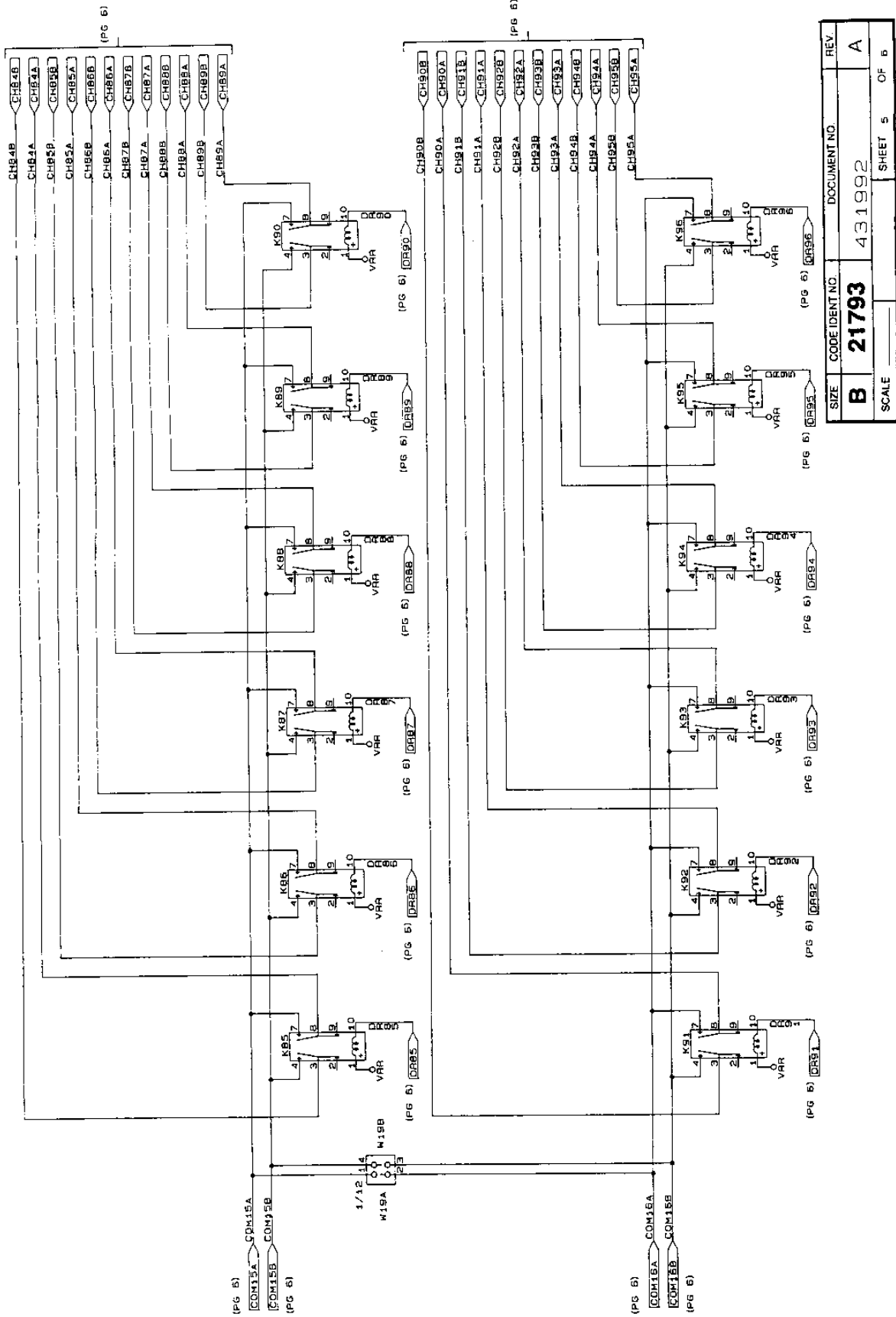
SIZE	CODE IDENT NO.	DOCUMENT NO	REV
B	21793	431992	A
SCALE		SHEET 2	OF 6



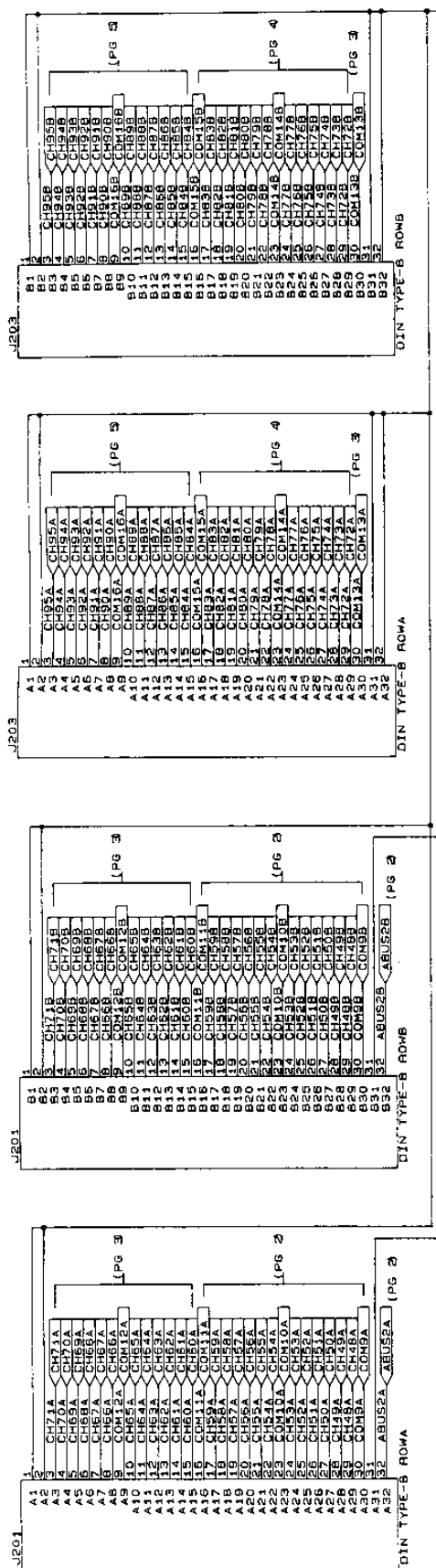
SIZE	CODE IDENT NO.	DOCUMENT NO.	REV.
B	21793	431992	A
SCALE		SHEET 3	OF 6



SIZE	CODE IDENT NO.	DOCUMENT NO.	REV.
B	21793	431992	A
SCALE		SHEET 4	OF 6

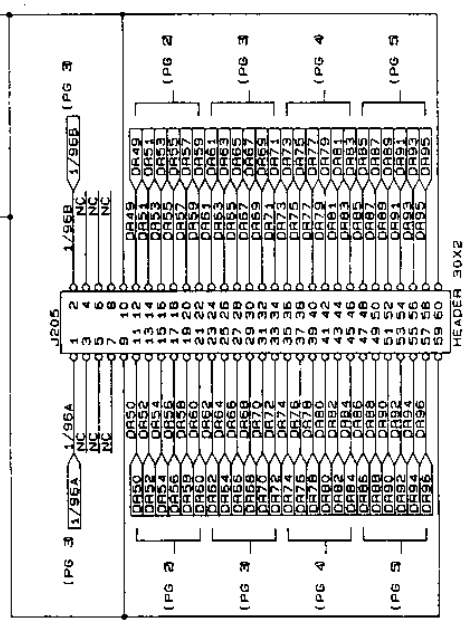


SIZE	CODE IDENT NO	DOCUMENT NO	REV.
B	21793	431992	A
SCALE		SHEET 5	OF 6



77

CHASSIS GROUND



SIZE	CODE IDENT NO.	DOCUMENT NO.	REV.
B	21793	431992	A
SCALE		SHEET 6	OF 6

Chapter 5

PARTS LIST

404944	Final Assembly, 1260-35 (IDC Connector)	5-3
404975	Shipping Kit, 1260-35	5-4
404944-001	Final Assembly, 1260-35A (Crimp Connectors)	5-5
404975-001	Shipping Kit, 1260-35A	5-6
401989	PCB Assy, 1260-35	5-7
401992	PCB Assy, 1260-35D	5-10
	List of Suppliers	5-11

This page was left intentionally blank.

User Manual 1260-35

404944 - FINAL ASSY, 1260-35

REF DESIG	RACAL-INST P/N	DESCRIPTION	FSC	MANUFACTURER'S P/N
{1}1	401989	PCB ASSY., 1260-35	21793	401989
{3}1	401992	PCB ASSY., 1260-35D	21793	401992
{5}1	404975	SHIPPING KIT, 1260-35	21793	404975
{9}1	455814	PANEL, FRONT	21793	455814
{11}1	456238-002	PANEL, RIGHT, 1260-35	21793	456238-002
{13}1	456239-002	PANEL, LEFT, 1260-35	21793	456239-002
{15}1	611264	HANDLE, EXTRACTOR, BOTTOM	62559	20817-327
{16}1	611265	HANDLE, EXTRACTOR, TOP	62559	20817-328
{17}.5	611266	MOUNTING HARDWARE, HANDLE	62559	21100-745
{19}7	616251	SCREW, PPH, SEMS ASSY, 4-40X.250	78189	SEMS ASSY W/SQ CONE WA
{21}2	616405	SCREW, PFH, M2.5-.45 X 12	-	-
{24}6	616414	SCREW, PFL, M3X.50X5	-	-
{27}A/R	920962	LOCTITE, 242, MED STR.	05972	1272
{29}1	921059	LABEL, CAUTION, STATIC	21793	921059
{31}1	921148-001	LABEL SET VXI	21793	921148-001
{33}1	921212-010	LABEL, VXI, 1260-35	21793	921212-010
{35}1	921309	LABEL, VXI SWITCH ID	21793	921309

404975 - SHIPPING KIT, 1260-35

REF DESIG	RACAL INST P/N	DESCRIPTION	FSC	MANUFACTURER'S P/N
{1}2	455540	KEY, LOCKOUT, TTL, A/C	121793	455540
{2}2	455541	KEY, LOCKOUT, TTL, A/C	121793	455541
{3}2	455542	KEY, LOCKOUT, TTL, A/C	121793	455542
{6}4	602004	CONNECTOR, TYPE B, FEMALE, 64-PIN	106383	1120-064-455
{7}4	602004-001	STRAIN RELIEF, WITH HANDLE	106383	1120-000-032
{8}4	602004-002	PULL TAB, SOCKET, 2.5W	106383	LPT-50
{11}3	615013	SCREW, PPF, 2-56 X .188	1-	1-
{13}1	1980673-006	INSTRUCTION MANUAL, 1260-35	121793	1980673-006

User Manual 1260-35

404944-001 - FINAL ASSY, 1260-35A

REF DESIG	RACAL-INST P/N	DESCRIPTION	FSC	MANUFACTURER'S P/N
{1}1	401989	PCB ASSY., 1260-35	21793	401989
{3}1	401992	PCB ASSY., 1260-35D	21793	401992
{5}1	404975-001	SHIPPING KIT, 1260-35A	21793	404975-001
{9}1	455814	PANEL, FRONT	21793	455814
{11}1	456238-002	PANEL, RIGHT, 1260-35	21793	456238-002
{13}1	456239-002	PANEL, LEFT, 1260-35	21793	456239-002
{15}1	611264	HANDLE, EXTRACTOR, BOTTOM	62559	20817-327
{16}1	611265	HANDLE, EXTRACTOR, TOP	62559	20817-328
{17}.5	611266	MOUNTING HARDWARE, HANDLE	62559	21100-745
{19}7	616251	SCREW, PFH, SEMS ASSY, 4-40X.250	78189	SEMS ASSY W/SQ CONE WA
{21}2	616405	SCREW, PFH, M2.5-.45 X 12	-	-
{24}6	616414	SCREW, PFL, M3X.50X5	-	-
{27}A/R	920962	LOCTITE, 242, MED STR.	105972	272
{29}1	921059	LABEL, CAUTION, STATIC	21793	921059
{31}1	921148-001	LABEL SET VXI	21793	921148-001
{33}1	921212-010	LABEL, VXI, 1260-35	21793	921212-010
{35}1	921309	LABEL, VXI SWITCH ID	21793	921309

404975-001 - SHIPPING, KIT 1260-35A

REF DESIG	RACAL INST P/N	DESCRIPTION	FSC	MANUFACTURER'S P/N
{1}2	1455540	KEY, LOCKOUT, TTL, A/C	21793	1455540
{2}2	1455541	KEY, LOCKOUT, TTL, A/C	21793	1455541
{3}2	1455542	KEY, LOCKOUT, TTL, A/C	21793	1455542
{6}4	1602159-064	CONNECTOR HOUSING, 64-PIN, DIN-B, PLUG	OG8R9	109020643214
{10}256	1602159-900	CONTACT, CRIMP, SKT, 28-24 AWG	OG8R9	109020008484
{11}3	1615013	SCREW, PPF, 2-56 X .188	-	-
{13}1	1980673-006	INSTRUCTION MANUAL, 1260-35	21793	1980673-006

User Manual 1260-35

401989 PCB ASSY., 1260-35

REF DESIG	RACAL INST P/N	DESCRIPTION	FSC	MANUFACTURER'S P/N
C1	110126	CAP, TANTA, 6.8UF, 35V, 20 PERCENT	105397	T355F685M035A5
C2	110126	CAP, TANTA, 6.8UF, 35V, 20 PERCENT	105397	T355F685M035A5
C3	110126	CAP, TANTA, 6.8UF, 35V, 20 PERCENT	105397	T355F685M035A5
C4	110126	CAP, TANTA, 6.8UF, 35V, 20 PERCENT	105397	T355F685M035A5
C100-C102	R-21-1801	CAP, CHIP, 10 NF	195275	VJ1206Y103MF
C103	130177	CAPACITOR, CHIP, SMD, 270PF	195275	VJ1206A271KXAMT
C104-C160	R-21-1801	CAP, CHIP, 10 NF	195275	VJ1206Y103MF
J3	1601925	CONNECTOR, PCB, RECEPT, 3 ROW, 96P	152072	1618008
J4	1601925	CONNECTOR, PCB, RECEPT, 3 ROW, 96P	152072	1618008
J200	1602005	CONNECTOR, DIN TYPE B, MALE, 64 PIN	106383	100-064033B
J202	1602005	CONNECTOR, DIN TYPE B, MALE, 64 PIN	106383	100-064033B
K1-K48	1310197	RELAY, 2 FORM C	161529	TQ2E-24V
K97	1310197	RELAY, 2 FORM C	161529	TQ2E-24V
L1	1100164	CAP, FEED-THRU, 800PF, 50V	100779	1842448-2
L2	1310193	CHOKER, SHIELDED, 5UH	191637	IH-5-5-10
L3	1310193	CHOKER, SHIELDED, 5UH	191637	IH-5-5-10
L4	1100164	CAP, FEED-THRU, 800PF, 50V	100779	1842448-2
L5	1600245	JUMPER, INSULATED	152210	1L-2007-1
P1	1601675-001	CONNECTOR, EUROCARD, 96 PIN MOD.	121793	1601675-001
P2	1601675-001	CONNECTOR, EUROCARD, 96 PIN MOD.	121793	1601675-001
SW1	1601969	SWITCH, DIP 6 POS, LOW PROFILE	165832	1K406S
SW2	1601969	SWITCH, DIP 6 POS, LOW PROFILE	165832	1K406S
SW3	1601969	SWITCH, DIP 6 POS, LOW PROFILE	165832	1K406S
TP1	1601197	POST, TEST, .025 SQ	100779	16-87022-6
TP2	1601197	POST, TEST, .025 SQ	100779	16-87022-6
U1	1231131	IC, DIGITAL, SHIFT REGISTER	118324	1PC74HCT164D
U2	1231130	IC, DIGITAL, FLIP FLOP	118324	1PC74HC273
U3	1231098	IC, SOIC TRANSISTOR	156289	1ULN-2803LW
U4	1231120	IC, 8-BIT, PARALLEL/SERIAL OUT S.R.	118324	174HCT166D
U5	1231131	IC, DIGITAL, SHIFT REGISTER	118324	1PC74HCT164D
U6	1231130	IC, DIGITAL, FLIP FLOP	118324	1PC74HC273
U7	1231098	IC, SOIC TRANSISTOR	156289	1ULN-2803LW
U8	1231120	IC, 8-BIT, PARALLEL/SERIAL OUT S.R.	118324	174HCT166D
U9	1231131	IC, DIGITAL, SHIFT REGISTER	118324	1PC74HCT164D
U10	1231130	IC, DIGITAL, FLIP FLOP	118324	1PC74HC273
U11	1231098	IC, SOIC TRANSISTOR	156289	1ULN-2803LW
U12	1231120	IC, 8-BIT, PARALLEL/SERIAL OUT S.R.	118324	174HCT166D
U13	1231131	IC, DIGITAL, SHIFT REGISTER	118324	1PC74HCT164D
U14	1231130	IC, DIGITAL, FLIP FLOP	118324	1PC74HC273
U15	1231098	IC, SOIC TRANSISTOR	156289	1ULN-2803LW
U16	1231120	IC, 8-BIT, PARALLEL/SERIAL OUT S.R.	118324	174HCT166D
U17	1231131	IC, DIGITAL, SHIFT REGISTER	118324	1PC74HCT164D
U18	1231130	IC, DIGITAL, FLIP FLOP	118324	1PC74HC273
U19	1231098	IC, SOIC TRANSISTOR	156289	1ULN-2803LW
U20	1231120	IC, 8-BIT, PARALLEL/SERIAL OUT S.R.	118324	174HCT166D
U21	1231131	IC, DIGITAL, SHIFT REGISTER	118324	1PC74HCT164D
U22	1231130	IC, DIGITAL, FLIP FLOP	118324	1PC74HC273
U23	1231098	IC, SOIC TRANSISTOR	156289	1ULN-2803LW
U24	1231120	IC, 8-BIT, PARALLEL/SERIAL OUT S.R.	118324	174HCT166D
U25	1231131	IC, DIGITAL, SHIFT REGISTER	118324	1PC74HCT164D
U26	1231130	IC, DIGITAL, FLIP FLOP	118324	1PC74HC273
U27	1231098	IC, SOIC TRANSISTOR	156289	1ULN-2803LW
U28	1231120	IC, 8-BIT, PARALLEL/SERIAL OUT S.R.	118324	174HCT166D
U29	1231131	IC, DIGITAL, SHIFT REGISTER	118324	1PC74HCT164D
U30	1231130	IC, DIGITAL, FLIP FLOP	118324	1PC74HC273
U31	1231098	IC, SOIC TRANSISTOR	156289	1ULN-2803LW
U32	1231120	IC, 8-BIT, PARALLEL/SERIAL OUT S.R.	118324	174HCT166D
U33	1231131	IC, DIGITAL, SHIFT REGISTER	118324	1PC74HCT164D
U34	1231130	IC, DIGITAL, FLIP FLOP	118324	1PC74HC273

401989 PCB ASSY., 1260-35

REF DESIG	IRACAL P/N	INST P/N	DESCRIPTION	FSC	MANUFACTURER'S P/N
U35	231098		IC, SOIC TRANSISTOR	56289	ULN-2803LW
U36	231120		IC, 8-BIT, PARALLEL/SERIAL OUT S.R.	18324	74HCT166D
U37	231131		IC, DIGITAL, SHIFT REGISTER	18324	PC74HCT164D
U38	231130		IC, DIGITAL, FLIP FLOP	18324	PC74HC273
U39	231098		IC, SOIC TRANSISTOR	56289	ULN-2803LW
U40	231120		IC, 8-BIT, PARALLEL/SERIAL OUT S.R.	18324	74HCT166D
U41	231131		IC, DIGITAL, SHIFT REGISTER	18324	PC74HCT164D
U42	231130		IC, DIGITAL, FLIP FLOP	18324	PC74HC273
U43	231098		IC, SOIC TRANSISTOR	56289	ULN-2803LW
U44	231120		IC, 8-BIT, PARALLEL/SERIAL OUT S.R.	18324	74HCT166D
U45	231131		IC, DIGITAL, SHIFT REGISTER	18324	PC74HCT164D
U46	231130		IC, DIGITAL, FLIP FLOP	18324	PC74HC273
U47	231098		IC, SOIC TRANSISTOR	56289	ULN-2803LW
U48	231120		IC, 8-BIT, PARALLEL/SERIAL OUT S.R.	18324	74HCT166D
U49	231131		IC, DIGITAL, SHIFT REGISTER	18324	PC74HCT164D
U50	231130		IC, DIGITAL, FLIP FLOP	18324	PC74HC273
U51	231098		IC, SOIC TRANSISTOR	56289	ULN-2803LW
U52	231120		IC, 8-BIT, PARALLEL/SERIAL OUT S.R.	18324	74HCT166D
U53	231153		IC, PROGRAMMED PLA	21793	231153
U54	231094		IC, DEMUX DECODER	18324	74LS138D
U55	231094		IC, DEMUX DECODER	18324	74LS138D
U56	231135		IC, DIGITAL, 4-BIT COMPARATOR	18324	PC74HCT85D
U57	231093		IC, QUAD COMPARATOR	04713	LM339D
U60	231120		IC, 8-BIT, PARALLEL/SERIAL OUT S.R.	18324	74HCT166D
U61	231131		IC, DIGITAL, SHIFT REGISTER	18324	PC74HCT164D
U62	231131		IC, DIGITAL, SHIFT REGISTER	18324	PC74HCT164D
U70	231152-001		IC, DIGITAL 16L8, PAL	21793	231152-001
U71	231147		IC, MULTIPLEXER	04713	74HC253D
U72	231147		IC, MULTIPLEXER	04713	74HC253D
U73	231096		IC, QUAD DIFF RECEIVER	101295	AM26LS32ACD
U74	231096		IC, QUAD DIFF RECEIVER	101295	AM26LS32ACD
U75	231125		IC, DIGITAL, LINE DRIVER	27014	DS26LS31MN
U76	231154		IC, PROGRAMMED PLA	21793	231154
U77	231147		IC, MULTIPLEXER	04713	74HC253D
W2-W11	1602007		CONNECTOR, STRAIGHT, DOUBLE ROW, 4 PIN	52072	CAD0423B43
Z1	080119		RES NETWORK, 220K	91637	SOMC-1603-224K
Z2	080117		RES NETWORK, 16P8R, 47K	73138	628-AL-473J
Z3	080119		RES NETWORK, 220K	91637	SOMC-1603-224K
Z4	080117		RES NETWORK, 16P8R, 47K	73138	628-AL-473J
Z5	080119		RES NETWORK, 220K	91637	SOMC-1603-224K
Z6	080117		RES NETWORK, 16P8R, 47K	73138	628-AL-473J
Z7	080119		RES NETWORK, 220K	91637	SOMC-1603-224K
Z8	080117		RES NETWORK, 16P8R, 47K	73138	628-AL-473J
Z9	080119		RES NETWORK, 220K	91637	SOMC-1603-224K
Z10	080117		RES NETWORK, 16P8R, 47K	73138	628-AL-473J
Z11	080119		RES NETWORK, 220K	91637	SOMC-1603-224K
Z12	080117		RES NETWORK, 16P8R, 47K	73138	628-AL-473J
Z13	080119		RES NETWORK, 220K	91637	SOMC-1603-224K
Z14	080117		RES NETWORK, 16P8R, 47K	73138	628-AL-473J
Z15	080119		RES NETWORK, 220K	91637	SOMC-1603-224K
Z16	080117		RES NETWORK, 16P8R, 47K	73138	628-AL-473J
Z17	080119		RES NETWORK, 220K	91637	SOMC-1603-224K
Z18	080117		RES NETWORK, 16P8R, 47K	73138	628-AL-473J
Z19	080119		RES NETWORK, 220K	91637	SOMC-1603-224K
Z20	080117		RES NETWORK, 16P8R, 47K	73138	628-AL-473J
Z21	080119		RES NETWORK, 220K	91637	SOMC-1603-224K
Z22	080117		RES NETWORK, 16P8R, 47K	73138	628-AL-473J
Z23	080119		RES NETWORK, 220K	91637	SOMC-1603-224K
Z24	080117		RES NETWORK, 16P8R, 47K	73138	628-AL-473J

User Manual 1260-35

401989 PCB ASSY., 1260-35

REF DESIG	RACAL INST P/N	DESCRIPTION	FSC	MANUFACTURER'S P/N
Z25	080119	RES NETWORK, 220K	91637	SOMC-1603-224K
Z26	080117	RES NETWORK, 16P8R, 47K	73138	628-AL-473J
Z27	080114	RES NETWORK, 16P8R, 15K	73138	628-AL-153J
Z28	080120	RES NETWORK, 10K	11236	767-161R10K
{43}1	401951	PCB ASSY., LBUS JUMPER	21793	401951
{44}1	401951-003	PCB ASSY., P3 JUMPER	21793	401951-003
{45}1	411989	PCB, 1260-35 (UNLOADED)	21793	411989
{48}A/R	500022	WIRE, BARE COPPER/TIN, 22 GA	21793	500022
{58}20	601195	PLUG, JUMPER, 0.1 CTR, LOW PROFILE	00779	530153-2
{66}1	602023	CABLE ASSY., 1DC 60 PIN	21793	602023
{67}6	610257	STANDOFF, SWAGE, 1/4D, 4-40 X .31	06540	9534BB04403A
{71}1	611366	STANDOFF, ROUND SWAGE, M3X0.5X19	06540	21017-B-0350-28
{72}2	611367	STANDOFF, ROUND SWAGE, M3X0.5X4.3	06540	21003B-B-0350-28(L4.3)
{74}1	920927	BUMPER	53387	SJ-5003

401992 PCB ASSY., 1260-35D

REF DESIG	RACAL INST P/N	DESCRIPTION	FSC	MANUFACTURER'S P/N
J201	602005	CONNECTOR, DIN TYPE B, MALE, 64 PIN	06383	100-064033B
J203	602005	CONNECTOR, DIN TYPE B, MALE, 64 PIN	06383	100-064033B
J204	602008	CONNECTOR, RIGHT ANGLE, 60 PIN	52072	CA-60HRM-1F-S
K49-K96	310197	RELAY, 2 FORM C	61529	TQ2E-24V
TP3	601197	POST, TEST, .025 SQ	00779	6-87022-6
W12-W20	602006	CONNECTOR, RIGHT ANGLE, 4 PIN	52072	CA-D04R-23R-09
{3}1	411992	PCB, 1260-35D (UNLOADED)	21793	411992
{12}18	601195	PLUG, JUMPER, 0.1 CTR, LOW PROFILE	00779	530153-2

List of Suppliers

FSC	SUPPLIER	FSC	SUPPLIER
00779	AMP, INC. HARRISBURG, PA	52210	GETTING ENGRG. & MFG. CO. SPRING MILLS, PA
01295	TEXAS INSTRUMENTS, INC. DALLAS, TX	53387	THREE M (3M) CO. ST. PAUL, MN
04713	MOTOROLA, INC. (SEMICONDUCTOR PRODUCTS DIV.) PHOENIX, AZ	56289	SPAGUE ELECTRIC CO. N. ADAMS, MA
05397	UNION CARBIDE CORP. (MATERIALS SYSTEMS DIV.) CLEVELAND, OH	61529	AROMAT CORP. CUPERTINO, CA
05972	LOCTITE CORP. HARTFORD, CT	62559	SCHROFF, INC. WARWICK, RI
06383	PANDUIT CORP. TINLEY PARK, IL	65832	AMERICAN RESEARCH & ENGINEERING ELGIN, IL
06540	AMATOM ELECTRONIC HARDWARE NEW ROCHELLE, NY	73138	BECKMAN INSTRUMENTS FULLERTON, CA
11236	CTS OF BERNE, INC. BERNE, IN	78189	ILLINOIS TOOL WORKS, INC. (SHAKEPROOF DIV.) ELGIN, IL
18324	SIGNETICS, INC. SUNNYVALE, CA	91637	DALE ELECTRONICS, INC. COLUMBUS, NE
21793	RACAL INSTRUMENTS INC. IRVINE, CA	95275	VITRAMON, INC. BRIDGEPORT, CT
27014	NATIONAL SEMI-CONDUCTOR CORP. SANTA CLARA, CA	OG8R9	HARTING ELECTRONICS HOFFMAN ESTATES, IL
52072	CIRCUIT ASSY. CORP. COSTA MESA, CA		

This page was left intentionally blank.

Chapter 6

OPTIONAL HARNESS ASSEMBLIES

The following harness assemblies are used to connect Racal Instruments Model 1260-35 to Freedom Series Test Receiver Interfaces.

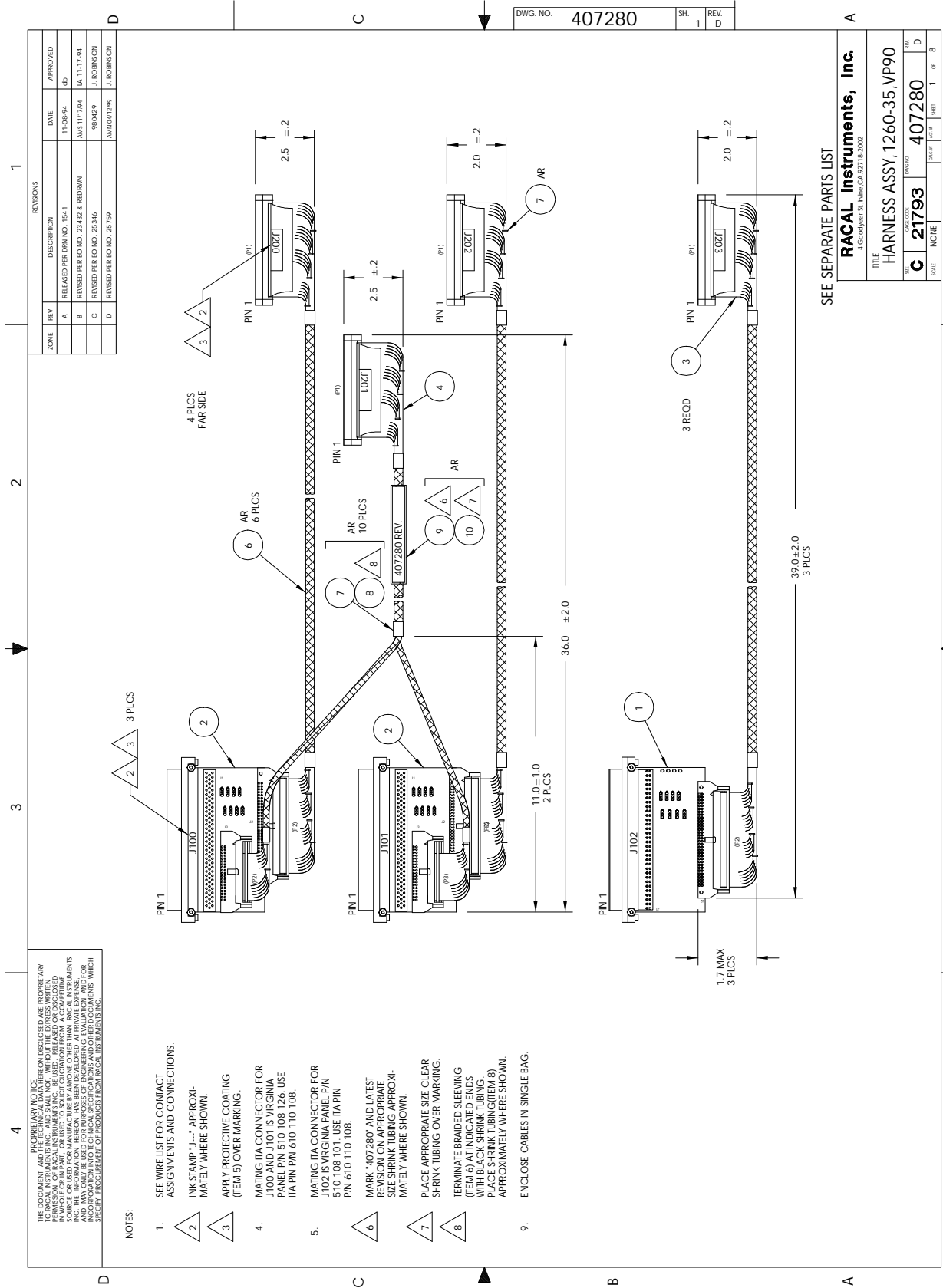
Each harness documentation consists of an assembly drawing, parts list, system wire list and wire list.

407280 Virginia Panel, Inc. Series VP90 Interface Harness

407281 TTI Testron, Inc. Interface Harness

For more information on Racal Instruments complete line of Test Receivers Interface solution, contact your Sales Representative.

This page was left intentionally blank.



PROPRIETARY NOTICE
 THE DOCUMENT AND THE TECHNICAL DATA HEREON DISCLOSED ARE PROPRIETARY AND CONFIDENTIAL TO RACAL INSTRUMENTS, INC. NO PART OF THIS DOCUMENT IS TO BE REPRODUCED, COPIED, TRANSMITTED, OR DISCLOSED IN ANY MANNER WITHOUT THE WRITTEN PERMISSION OF RACAL INSTRUMENTS, INC. THIS DOCUMENT IS TO BE USED ONLY FOR THE PURPOSES SPECIFIED HEREIN AND IS NOT TO BE USED FOR ANY OTHER PURPOSES. RACAL INSTRUMENTS, INC. AND ITS AFFILIATES SHALL BE LIABLE FOR DAMAGES, INCLUDING ATTORNEY'S FEES AND COSTS, INCURRED BY ANY PARTY AS A RESULT OF THE NEGLIGENCE OR OTHER DOCUMENTS WHICH INCORPORATE OR REFER TO THIS DOCUMENT OR ANY PART THEREOF.

- NOTES:**
- SEE WIRE LIST FOR CONTACT ASSIGNMENTS AND CONNECTIONS.
 - INK STAMP "J-..." APPROXIMATELY WHERE SHOWN.
 - APPLY PROTECTIVE COATING (ITEM 5) OVER MARKING.
 - MATING IIA CONNECTOR FOR J100 AND J101 IS VIRGINIA PANEL PIN 510 T08 126. USE IIA PIN PIN 610 110 108.
 - MATING IIA CONNECTOR FOR J102 IS VIRGINIA PANEL PIN 510 T08 101. USE IIA PIN PIN 610 110 108.
 - MARK "407280" AND LATEST REVISION ON APPROXIMATELY WHERE SHOWN.
 - PLACE APPROPRIATE SIZE CLEAR SHRINK TUBING OVER MARKING.
 - TERMINATE BRAIDED SLEEVING (ITEM 6) AT INDICATED ENDS WITH BLACK SHRINK TUBING (ITEM 6) APPROXIMATELY WHERE SHOWN.
 - ENCLOSE CABLES IN SINGLE BAG.

RACAL INSTRUMENTS INC.

Assembly 407280 HARNESS ASSY, 1260-35, VP90 Date 3/18/99 Revision D

#	Component	Description	U/N	Qty Reqd	Ref
1	405084	PCB ASSY, VP90 INTFC, 64CONTCT	EA	1.00000	
2	405085	PCB ASSY, VP90 INTFC, 96CONTCT	EA	2.00000	
3	407259	CABLE ASSY, IDC, 64COND,VP90	EA	3.00000	
4	407258	CABLE ASSY, IDC, 64SPLT,VP90	EA	1.00000	
5	910541	POLYURETHANE CONFORMAL COAT	EA	.00001	
6	GRP-I10-I/2	TBGWOV- POY. 250ID-BLACK	FT	.00001	
7	500005	TIE CORD NYLON	FT	.00001	
8	500017	TBGSRK- POF. 500ID-BLACK	FT	.00001	
9	M23053/5-109-4	TBGSRK- POF. 750ID-YELLOW	FT	.00001	
10	500104	TBGSRK- POF .750 ID-CLEAR	FT	.00001	

ENGINEERING WIRE LIST

WIRE	FROM	TO	TYPE	PART #	WIRE LEN	REFERENCE
	BLK AA (J100)	Uxx-SLOT yy (J200,J201)	CABLE	407280		SYSTEM WIRE LIST
	BLK AA (J101)	Uxx-SLOT yy (J201,J202)	CABLE	407280		
	BLK AA (J102)	Uxx-SLOT yy (J203)	CABLE	407280		
<p>This system wirelist serves as a template for incorporating this harness assembly into the overall system wirelist. It does not in any way affect the fabrication of this harness assembly.</p>						
<p style="font-size: small;">RACAL Instruments, Inc., 4 Goodyear St., Irvine, CA 92718</p>						
DOCUMENT TITLE			SIZE	CODE NO.	DOCUMENT NO.	REV
HARNESS ASSY, 1260-35, VP90			A	21793	407280	D
			DRN	SHEET 2 of 8		

DOC. NO. 407280

ENGINEERING WIRE LIST

WIRE	FROM	TO	TYPE	PART #	WIRE LEN	REFERENCE
1	J100-44	J200-A1	RED	407259	41.5"	GND
2	J100-76	J200-A2	BRN	407259	41.5"	GND
3	J100-13	J200-A3	BLK	407259	41.5"	CHANNEL 23, A
4	J100-46	J200-A4	WHT	407259	41.5"	CHANNEL 22, A
5	J100-78	J200-A5	GRY	407259	41.5"	CHANNEL 21, A
6	J100-15	J200-A6	VIO	407259	41.5"	CHANNEL 20, A
7	J100-48	J200-A7	BLU	407259	41.5"	CHANNEL 19, A
8	J100-80	J200-A8	GRN	407259	41.5"	CHANNEL 18, A
9	J100-17	J200-A9	YEL	407259	41.5"	COMM 04, A
10	J100-50	J200-A10	ORN	407259	41.5"	CHANNEL 17, A
11	J100-82	J200-A11	RED	407259	41.5"	CHANNEL 16, A
12	J100-19	J200-A12	BRN	407259	41.5"	CHANNEL 15, A
13	J100-52	J200-A13	BLK	407259	41.5"	CHANNEL 14, A
14	J100-84	J200-A14	WHT	407259	41.5"	CHANNEL 13, A
15	J100-21	J200-A15	GRY	407259	41.5"	CHANNEL 12, A
16	J100-54	J200-A16	VIO	407259	41.5"	COMM 03, A
17	J100-86	J200-A17	BLU	407259	41.5"	CHANNEL 11, A
18	J100-23	J200-A18	GRN	407259	41.5"	CHANNEL 10, A
19	J100-56	J200-A19	YEL	407259	41.5"	CHANNEL 09, A
20	J100-88	J200-A20	ORN	407259	41.5"	CHANNEL 08, A
21	J100-25	J200-A21	RED	407259	41.5"	CHANNEL 07, A
22	J100-58	J200-A22	BRN	407259	41.5"	CHANNEL 06, A
23	J100-90	J200-A23	BLK	407259	41.5"	COMM 02, A
24	J100-27	J200-A24	WHT	407259	41.5"	CHANNEL 05, A
25	J100-60	J200-A25	GRY	407259	41.5"	CHANNEL 04, A
26	J100-92	J200-A26	VIO	407259	41.5"	CHANNEL 03, A
27	J100-29	J200-A27	BLU	407259	41.5"	CHANNEL 02, A
28	J100-62	J200-A28	GRN	407259	41.5"	CHANNEL 01, A
29	J100-94	J200-A29	YEL	407259	41.5"	CHANNEL 00, A
30	J100-31	J200-A30	ORN	407259	41.5"	COMM 01, A
31	J100-64	J200-A31	RED	407259	41.5"	J200-A31
32	J100-96	J200-A32	BRN	407259	41.5"	ABUS1, A
33	J100-75	J200-B1	TAN	407259	41.5"	GND
34	J100-12	J200-B2	TAN	407259	41.5"	GND
35	J100-45	J200-B3	TAN	407259	41.5"	CHANNEL 23, B
36	J100-77	J200-B4	TAN	407259	41.5"	CHANNEL 22, B
37	J100-14	J200-B5	TAN	407259	41.5"	CHANNEL 21, B
38	J100-47	J200-B6	TAN	407259	41.5"	CHANNEL 20, B
39	J100-79	J200-B7	TAN	407259	41.5"	CHANNEL 19, B
40	J100-16	J200-B8	TAN	407259	41.5"	CHANNEL 18, B
41	J100-49	J200-B9	TAN	407259	41.5"	COMM 04, B
42	J100-81	J200-B10	TAN	407259	41.5"	CHANNEL 17, B
43	J100-18	J200-B11	TAN	407259	41.5"	CHANNEL 16, B
44	J100-51	J200-B12	TAN	407259	41.5"	CHANNEL 15, B
45	J100-83	J200-B13	TAN	407259	41.5"	CHANNEL 14, B
46	J100-20	J200-B14	TAN	407259	41.5"	CHANNEL 13, B
47	J100-53	J200-B15	TAN	407259	41.5"	CHANNEL 12, B
48	J100-85	J200-B16	TAN	407259	41.5"	COMM 03, B
RACAL Instruments, Inc., 4 Goodyear St., Irvine, CA 92718						
DOCUMENT TITLE			SIZE	CODE NO.	DOCUMENT NO.	REV
HARNESS ASSEMBLY, 1260-35 TO VP90			A	21793	407280	D
					SHEET 3 of 8	

DOC. NO. 407280

ENGINEERING WIRE LIST

WIRE	FROM	TO	TYPE	PART #	WIRE LEN	REFERENCE
49	J100-22	J200-B17	TAN	407259	41.5"	CHANNEL 11, B
50	J100-55	J200-B18	TAN	407259	41.5"	CHANNEL 10, B
51	J100-87	J200-B19	TAN	407259	41.5"	CHANNEL 09, B
52	J100-24	J200-B20	TAN	407259	41.5"	CHANNEL 08, B
53	J100-57	J200-B21	TAN	407259	41.5"	CHANNEL 07, B
54	J100-89	J200-B22	TAN	407259	41.5"	CHANNEL 06, B
55	J100-26	J200-B23	TAN	407259	41.5"	COMM 02, B
56	J100-59	J200-B24	TAN	407259	41.5"	CHANNEL 05, B
57	J100-91	J200-B25	TAN	407259	41.5"	CHANNEL 04, B
58	J100-28	J200-B26	TAN	407259	41.5"	CHANNEL 03, B
59	J100-61	J200-B27	TAN	407259	41.5"	CHANNEL 02, B
60	J100-93	J200-B28	TAN	407259	41.5"	CHANNEL 01, B
61	J100-30	J200-B29	TAN	407259	41.5"	CHANNEL 00, B
62	J100-63	J200-B30	TAN	407259	41.5"	COMM 01, B
63	J100-95	J200-B31	TAN	407259	41.5"	J200-A31
64	J100-32	J200-B32	TAN	407259	41.5"	ABUS1, B
65	J101-1	J201-A1	RED	407258	41.5"	GND
66	J101-34	J201-A2	BRN	407258	41.5"	GND
67	J101-66	J201-A3	BLK	407258	41.5"	CHANNEL 71, A
68	J101-3	J201-A4	WHT	407258	41.5"	CHANNEL 70, A
69	J101-36	J201-A5	GRY	407258	41.5"	CHANNEL 69, A
70	J101-68	J201-A6	VIO	407258	41.5"	CHANNEL 68, A
71	J101-5	J201-A7	BLU	407258	41.5"	CHANNEL 67, A
72	J101-38	J201-A8	GRN	407258	41.5"	CHANNEL 66, A
73	J101-70	J201-A9	YEL	407258	41.5"	COMM 12, A
74	J101-7	J201-A10	ORN	407258	41.5"	CHANNEL 65, A
75	J101-40	J201-A11	RED	407258	41.5"	CHANNEL 64, A
76	J101-72	J201-A12	BRN	407258	41.5"	CHANNEL 63, A
77	J101-9	J201-A13	BLK	407258	41.5"	CHANNEL 62, A
78	J101-42	J201-A14	WHT	407258	41.5"	CHANNEL 61, A
79	J101-74	J201-A15	GRY	407258	41.5"	CHANNEL 60, A
80	J101-11	J201-A16	VIO	407258	41.5"	COMM 11, A
81	J100-1	J201-A17	BLU	407258	41.5"	CHANNEL 59, A
82	J100-34	J201-A18	GRN	407258	41.5"	CHANNEL 58, A
83	J100-66	J201-A19	YEL	407258	41.5"	CHANNEL 57, A
84	J100-3	J201-A20	ORN	407258	41.5"	CHANNEL 56, A
85	J100-36	J201-A21	RED	407258	41.5"	CHANNEL 55, A
86	J100-68	J201-A22	BRN	407258	41.5"	CHANNEL 54, A
87	J100-5	J201-A23	BLK	407258	41.5"	COMM 10A
88	J100-38	J201-A24	WHT	407258	41.5"	CHANNEL 53, A
89	J100-70	J201-A25	GRY	407258	41.5"	CHANNEL 52, A
90	J100-7	J201-A26	VIO	407258	41.5"	CHANNEL 51, A
91	J100-40	J201-A27	BLU	407258	41.5"	CHANNEL 50, A
92	J100-72	J201-A28	GRN	407258	41.5"	CHANNEL 49, A
93	J100-9	J201-A29	YEL	407258	41.5"	CHANNEL 48, A
94	J100-42	J201-A30	ORN	407258	41.5"	COMM 09, A
RACAL Instruments, Inc., 4 Goodyear St., Irvine, CA 92718						
DOCUMENT TITLE			SIZE	CODE NO.	DOCUMENT NO.	REV
HARNESS ASSEMBLY, 1260-35 TO VP90			A	21793	407280	D
					SHEET 4 of 8	

DOC NO: 407280

ENGINEERING WIRE LIST

WIRE	FROM	TO	TYPE	PART #	WIRE LEN	REFERENCE
95	J100-74	J201-A31	RED	407258	41.5"	J201-A31
96	J100-11	J201-A32	BRN	407258	41.5"	ABUS2, A
97	J101-33	J201-B1	TAN	407258	41.5"	GND
98	J101-65	J201-B2	TAN	407258	41.5"	GND
99	J101-2	J201-B3	TAN	407258	41.5"	CHANNEL 71, B
100	J101-35	J201-B4	TAN	407258	41.5"	CHANNEL 70, B
101	J101-67	J201-B5	TAN	407258	41.5"	CHANNEL 69, B
102	J101-4	J201-B6	TAN	407258	41.5"	CHANNEL 68, B
103	J101-37	J201-B7	TAN	407258	41.5"	CHANNEL 67, B
104	J101-69	J201-B8	TAN	407258	41.5"	CHANNEL 66, B
105	J101-6	J201-B9	TAN	407258	41.5"	COMM 12, B
106	J101-39	J201-B10	TAN	407258	41.5"	CHANNEL 65, B
107	J101-71	J201-B11	TAN	407258	41.5"	CHANNEL 64, B
108	J101-8	J201-B12	TAN	407258	41.5"	CHANNEL 63, B
109	J101-41	J201-B13	TAN	407258	41.5"	CHANNEL 62, B
110	J101-73	J201-B14	TAN	407258	41.5"	CHANNEL 61, B
111	J101-10	J201-B15	TAN	407258	41.5"	CHANNEL 60, B
112	J101-43	J201-B16	TAN	407258	41.5"	COMM 11, B
113	J100-33	J201-B17	TAN	407258	41.5"	CHANNEL 59, B
114	J100-65	J201-B18	TAN	407258	41.5"	CHANNEL 58, B
115	J100-2	J201-B19	TAN	407258	41.5"	CHANNEL 57, B
116	J100-35	J201-B20	TAN	407258	41.5"	CHANNEL 56, B
117	J100-67	J201-B21	TAN	407258	41.5"	CHANNEL 55, B
118	J100-4	J201-B22	TAN	407258	41.5"	CHANNEL 54, B
119	J100-37	J201-B23	TAN	407258	41.5"	COMM 10, B
120	J100-69	J201-B24	TAN	407258	41.5"	CHANNEL 53, B
121	J100-6	J201-B25	TAN	407258	41.5"	CHANNEL 52, B
122	J100-39	J201-B26	TAN	407258	41.5"	CHANNEL 51, B
123	J100-71	J201-B27	TAN	407258	41.5"	CHANNEL 50, B
124	J100-8	J201-B28	TAN	407258	41.5"	CHANNEL 49, B
125	J100-41	J201-B29	TAN	407258	41.5"	CHANNEL 48, B
126	J100-73	J201-B30	TAN	407258	41.5"	COMM 09, B
127	J100-10	J201-B31	TAN	407258	41.5"	J201-A31
128	J100-43	J201-B32	TAN	407258	41.5"	ABUS2, B
129	J101-44	J202-A1	RED	407259	41.5"	GND
130	J101-76	J202-A2	BRN	407259	41.5"	GND
131	J101-13	J202-A3	BLK	407259	41.5"	CHANNEL 47, A
132	J101-46	J202-A4	WHT	407259	41.5"	CHANNEL 46, A
133	J101-78	J202-A5	GRY	407259	41.5"	CHANNEL 45, A
134	J101-15	J202-A6	VIO	407259	41.5"	CHANNEL 44, A
135	J101-48	J202-A7	BLU	407259	41.5"	CHANNEL 43, A
136	J101-80	J202-A8	GRN	407259	41.5"	CHANNEL 42, A
137	J101-17	J202-A9	YEL	407259	41.5"	COMM 08A
138	J101-50	J202-A10	ORN	407259	41.5"	CHANNEL 41, A
139	J101-82	J202-A11	RED	407259	41.5"	CHANNEL 40, A
140	J101-19	J202-A12	BRN	407259	41.5"	CHANNEL 39, A

DOC NO. 407280

RACAL Instruments, Inc., 4 Goodyear St., Irvine, CA 92718

DOCUMENT TITLE	SIZE	CODE NO.	DOCUMENT NO.	REV
HARNES ASSEMBLY, 1260-35 TO VP90	A	21793	407280	D
	DRN		SHEET 5 of 8	

ENGINEERING WIRE LIST

WIRE	FROM	TO	TYPE	PART #	WIRE LEN	REFERENCE
141	J101-52	J202-A13	BLK	407259	41.5"	CHANNEL 38, A
142	J101-84	J202-A14	WHT	407259	41.5"	CHANNEL 37, A
143	J101-21	J202-A15	GRY	407259	41.5"	CHANNEL 36, A
144	J101-54	J202-A16	VIO	407259	41.5"	COMM 07, A
145	J101-86	J202-A17	BLU	407259	41.5"	CHANNEL 35, A
146	J101-23	J202-A18	GRN	407259	41.5"	CHANNEL 34, A
147	J101-56	J202-A19	YEL	407259	41.5"	CHANNEL 33, A
148	J101-88	J202-A20	ORN	407259	41.5"	CHANNEL 32, A
149	J101-25	J202-A21	RED	407259	41.5"	CHANNEL 31, A
150	J101-58	J202-A22	BRN	407259	41.5"	CHANNEL 30, A
151	J101-90	J202-A23	BLK	407259	41.5"	COMM 06, A
152	J101-27	J202-A24	WHT	407259	41.5"	CHANNEL 29, A
153	J101-60	J202-A25	GRY	407259	41.5"	CHANNEL 28, A
154	J101-92	J202-A26	VIO	407259	41.5"	CHANNEL 27, A
155	J101-29	J202-A27	BLU	407259	41.5"	CHANNEL 26, A
156	J101-62	J202-A28	GRN	407259	41.5"	CHANNEL 25, A
157	J101-94	J202-A29	YEL	407259	41.5"	CHANNEL 24, A
158	J101-31	J202-A30	ORN	407259	41.5"	COMM 05, A
159	J101-64	J202-A31	RED	407259	41.5"	GND
160	J101-96	J202-A32	BRN	407259	41.5"	GND
161	J101-75	J202-B1	TAN	407259	41.5"	GND
162	J101-12	J202-B2	TAN	407259	41.5"	GND
163	J101-45	J202-B3	TAN	407259	41.5"	CHANNEL 47, B
164	J101-77	J202-B4	TAN	407259	41.5"	CHANNEL 46, B
165	J101-14	J202-B5	TAN	407259	41.5"	CHANNEL 45, B
166	J101-47	J202-B6	TAN	407259	41.5"	CHANNEL 44, B
167	J101-79	J202-B7	TAN	407259	41.5"	CHANNEL 43, B
168	J101-16	J202-B8	TAN	407259	41.5"	CHANNEL 42, B
169	J101-49	J202-B9	TAN	407259	41.5"	COMM 08, B
170	J101-81	J202-B10	TAN	407259	41.5"	CHANNEL 41, B
171	J101-18	J202-B11	TAN	407259	41.5"	CHANNEL 40, B
172	J101-51	J202-B12	TAN	407259	41.5"	CHANNEL 39, B
173	J101-83	J202-B13	TAN	407259	41.5"	CHANNEL 38, B
174	J101-20	J202-B14	TAN	407259	41.5"	CHANNEL 37, B
175	J101-53	J202-B15	TAN	407259	41.5"	CHANNEL 36, B
176	J101-85	J202-B16	TAN	407259	41.5"	COMM 07, B
177	J101-22	J202-B17	TAN	407259	41.5"	CHANNEL 35, B
178	J101-55	J202-B18	TAN	407259	41.5"	CHANNEL 34, B
179	J101-87	J202-B19	TAN	407259	41.5"	CHANNEL 33, B
180	J101-24	J202-B20	TAN	407259	41.5"	CHANNEL 32, B
181	J101-57	J202-B21	TAN	407259	41.5"	CHANNEL 31, B
182	J101-89	J202-B22	TAN	407259	41.5"	CHANNEL 30, B
183	J101-26	J202-B23	TAN	407259	41.5"	COMM 06, B
184	J101-59	J202-B24	TAN	407259	41.5"	CHANNEL 29, B
185	J101-91	J202-B25	TAN	407259	41.5"	CHANNEL 28, B
186	J101-28	J202-B26	TAN	407259	41.5"	CHANNEL 27, B
187	J101-61	J202-B27	TAN	407259	41.5"	CHANNEL 26, B
188	J101-93	J202-B28	TAN	407259	41.5"	CHANNEL 25, B

DOC. NO. 407280

RACAL Instruments, Inc., 4 Goodyear St., Irvine, CA 92718

DOCUMENT TITLE	SIZE	CODE NO.	DOCUMENT NO.	REV
HARNESS ASSEMBLY, 1260-35 TO VP90	A	21793	407280	D
			SHEET 6 of 8	

ENGINEERING WIRE LIST

WIRE	FROM	TO	TYPE	PART #	WIRE LEN	REFERENCE
189	J101-30	J202-B29	TAN	407259	41.5"	CHANNEL 24, B
190	J101-63	J202-B30	TAN	407259	41.5"	COMM 05, B
191	J101-95	J202-B31	TAN	407259	41.5"	GND
192	J101-32	J202-B32	TAN	407259	41.5"	GND
193	J102-33	J203-A1	RED	407259	41.5"	GND
194	J102-34	J203-A2	BRN	407259	41.5"	GND
195	J102-35	J203-A3	BLK	407259	41.5"	CHANNEL 95, A
196	J102-36	J203-A4	WHT	407259	41.5"	CHANNEL 94, A
197	J102-37	J203-A5	GRY	407259	41.5"	CHANNEL 93, A
198	J102-38	J203-A6	VIO	407259	41.5"	CHANNEL 92, A
199	J102-39	J203-A7	BLU	407259	41.5"	CHANNEL 91, A
200	J102-40	J203-A8	GRN	407259	41.5"	CHANNEL 90, A
201	J102-41	J203-A9	YEL	407259	41.5"	COMM 16, A
202	J102-42	J203-A10	ORN	407259	41.5"	CHANNEL 89, A
203	J102-43	J203-A11	RED	407259	41.5"	CHANNEL 88, A
204	J102-44	J203-A12	BRN	407259	41.5"	CHANNEL 87, A
205	J102-45	J203-A13	BLK	407259	41.5"	CHANNEL 86, A
206	J102-46	J203-A14	WHT	407259	41.5"	CHANNEL 85, A
207	J102-47	J203-A15	GRY	407259	41.5"	CHANNEL 84, A
208	J102-48	J203-A16	VIO	407259	41.5"	COMM 15, A
209	J102-49	J203-A17	BLU	407259	41.5"	CHANNEL 83, A
210	J102-50	J203-A18	GRN	407259	41.5"	CHANNEL 82, A
211	J102-51	J203-A19	YEL	407259	41.5"	CHANNEL 81, A
212	J102-52	J203-A20	ORN	407259	41.5"	CHANNEL 80, A
213	J102-53	J203-A21	RED	407259	41.5"	CHANNEL 79, A
214	J102-54	J203-A22	BRN	407259	41.5"	CHANNEL 78, A
215	J102-55	J203-A23	BLK	407259	41.5"	COMM 14, A
216	J102-56	J203-A24	WHT	407259	41.5"	CHANNEL 77, A
217	J102-57	J203-A25	GRY	407259	41.5"	CHANNEL 76, A
218	J102-58	J203-A26	VIO	407259	41.5"	CHANNEL 75, A
219	J102-59	J203-A27	BLU	407259	41.5"	CHANNEL 74, A
220	J102-60	J203-A28	GRN	407259	41.5"	CHANNEL 73, A
221	J102-61	J203-A29	YEL	407259	41.5"	CHANNEL 72, A
222	J102-62	J203-A30	ORN	407259	41.5"	COMM 13, A
223	J102-63	J203-A31	RED	407259	41.5"	GND
224	J102-64	J203-A32	BRN	407259	41.5"	GND
225	J102-1	J203-B1	TAN	407259	41.5"	GND
226	J102-2	J203-B2	TAN	407259	41.5"	GND
227	J102-3	J203-B3	TAN	407259	41.5"	CHANNEL 95, B
228	J102-4	J203-B4	TAN	407259	41.5"	CHANNEL 94, B
229	J102-5	J203-B5	TAN	407259	41.5"	CHANNEL 93, B
230	J102-6	J203-B6	TAN	407259	41.5"	CHANNEL 92, B
231	J102-7	J203-B7	TAN	407259	41.5"	CHANNEL 91, B
232	J102-8	J203-B8	TAN	407259	41.5"	CHANNEL 90, B
233	J102-9	J203-B9	TAN	407259	41.5"	COMM 16, B
234	J102-10	J203-B10	TAN	407259	41.5"	CHANNEL 89, B
RACAL Instruments, Inc., 4 Goodyear St., Irvine, CA 92718						
DOCUMENT TITLE			SIZE	CODE NO.	DOCUMENT NO.	REV
HARNESS ASSEMBLY, 1260-35 TO VP90			A	21793	407280	D
					DRN	SHEET 7 of 8

DOC. NO. 407280

ENGINEERING WIRE LIST

WIRE	FROM	TO	TYPE	PART #	WIRE LEN	REFERENCE
235	J102-11	J203-B11	TAN	407259	41.5"	CHANNEL 88, B
236	J102-12	J203-B12	TAN	407259	41.5"	CHANNEL 87, B
237	J102-13	J203-B13	TAN	407259	41.5"	CHANNEL 86, B
238	J102-14	J203-B14	TAN	407259	41.5"	CHANNEL 85, B
239	J102-15	J203-B15	TAN	407259	41.5"	CHANNEL 84, B
240	J102-16	J203-B16	TAN	407259	41.5"	COMM 15, B
241	J102-17	J203-B17	TAN	407259	41.5"	CHANNEL 83, B
242	J102-18	J203-B18	TAN	407259	41.5"	CHANNEL 82, B
243	J102-19	J203-B19	TAN	407259	41.5"	CHANNEL 81, B
244	J102-20	J203-B20	TAN	407259	41.5"	CHANNEL 80, B
245	J102-21	J203-B21	TAN	407259	41.5"	CHANNEL 79, B
246	J102-22	J203-B22	TAN	407259	41.5"	CHANNEL 78, B
247	J102-23	J203-B23	TAN	407259	41.5"	COMM 14, B
248	J102-24	J203-B24	TAN	407259	41.5"	CHANNEL 77, B
249	J102-25	J203-B25	TAN	407259	41.5"	CHANNEL 76, B
250	J102-26	J203-B26	TAN	407259	41.5"	CHANNEL 75, B
251	J102-27	J203-B27	TAN	407259	41.5"	CHANNEL 74, B
252	J102-28	J203-B28	TAN	407259	41.5"	CHANNEL 73, B
253	J102-29	J203-B29	TAN	407259	41.5"	CHANNEL 72, B
254	J102-30	J203-B30	TAN	407259	41.5"	COMM 13, B
255	J102-31	J203-B31	TAN	407259	41.5"	GND
256	J102-32	J203-B32	TAN	407259	41.5"	GND
RACAL Instruments, Inc., 4 Goodyear St., Irvine, CA 92718						
DOCUMENT TITLE			SIZE	CODE NO.	DOCUMENT NO.	REV
HARNESS ASSEMBLY, 1260-35 TO VP90			A	21793	407280	D
			DRN	SHEET 8 of 8		

DOC. NO. 407280

407281

REV. C
SH 1

1

3

2

1

4

3

2

1

D

C

B

A

D

C

B

A

4

3

2

1

D

C

B

A

4

3

2

1

D

C

B

A

4

3

2

1

D

C

B

A

4

3

2

1

D

C

B

A

4

3

2

1

D

C

B

A

4

3

2

1

D

C

B

A

4

3

2

1

D

C

B

A

4

3

2

1

D

C

B

A

4

3

2

1

D

C

B

A

4

3

2

1

D

C

B

A

4

3

2

1

D

C

B

A

4

3

2

1

D

C

B

A

4

3

2

1

D

C

B

A

4

3

2

1

D

C

B

A

4

3

2

1

D

C

B

A

4

3

2

1

D

C

B

A

4

3

2

1

D

C

B

A

4

3

2

1

D

C

B

A

4

3

2

1

D

C

B

A

4

3

2

1

D

C

B

A

4

3

2

1

D

C

B

A

4

3

2

1

D

C

B

A

4

3

2

1

D

C

B

A

4

3

2

1

D

C

B

A

4

3

2

1

D

C

B

A

4

3

2

1

D

C

B

A

4

3

2

1

D

C

B

A

4

3

2

1

D

C

B

A

4

3

2

1

D

C

B

A

4

3

2

1

D

C

B

A

4

3

2

1

D

C

B

A

4

3

2

1

D

C

B

A

4

3

2

1

D

C

B

A

4

3

2

1

D

C

B

A

4

3

2

1

D

C

B

A

4

3

2

1

D

C

B

A

4

3

2

1

D

C

B

A

4

3

2

1

D

C

B

A

4

3

2

1

D

C

B

A

4

3

2

1

D

C

B

A

4

3

2

1

D

C

B

A

4

3

2

1

D

C

B

A

4

3

2

1

D

C

B

A

4

3

2

1

D

C

B

ENGINEERING WIRE LIST

WIRE	FROM	TO	TYPE	PART #	WIRE LEN	REFERENCE
	BLK AAx RW 01 (J100)	Uxx-SLOT yy (J200)	CABLE	407281		SYSTEM WIRE LIST
	BLK AAx RW 02 (J101)	Uxx-SLOT yy (J200)	CABLE	407281		
	BLK AAx RW 03 (J102)	Uxx-SLOT yy (J200)	CABLE	407281		
	BLK AAx RW 04 (J103)	Uxx-SLOT yy (J200)	CABLE	407281		
	BLK AAx RW 05 (J104)	Uxx-SLOT yy (J200)	CABLE	407281		
	BLK AAx RW 06 (J105)	Uxx-SLOT yy (J200)	CABLE	407281		
	BLK AAx RW 07 (J106)	Uxx-SLOT yy (J200)	CABLE	407281		
	BLK AAx RW 08 (J107)	Uxx-SLOT yy (J201)	CABLE	407281		
	BLK AAx RW 09 (J108)	Uxx-SLOT yy (J201)	CABLE	407281		
	BLK AAx RW 10 (J109)	Uxx-SLOT yy (J201)	CABLE	407281		
	BLK AAx RW 11 (J110)	Uxx-SLOT yy (J201)	CABLE	407281		
	BLK AAx RW 12 (J111)	Uxx-SLOT yy (J201)	CABLE	407281		
	BLK AAx RW 13 (J112)	Uxx-SLOT yy (J201)	CABLE	407281		
	BLK AAx RW 14 (J113)	Uxx-SLOT yy (J201)	CABLE	407281		
	BLK AAx RW 15 (J114)	Uxx-SLOT yy (J202)	CABLE	407281		
	BLK AAx RW 16 (J115)	Uxx-SLOT yy (J202)	CABLE	407281		
	BLK AAx RW 17 (J116)	Uxx-SLOT yy (J202)	CABLE	407281		
	BLK AAx RW 18 (J117)	Uxx-SLOT yy (J202)	CABLE	407281		
	BLK AAx RW 19 (J118)	Uxx-SLOT yy (J202)	CABLE	407281		
	BLK AAx RW 20 (J119)	Uxx-SLOT yy (J202)	CABLE	407281		
	BLK AAx RW 21 (J120)	Uxx-SLOT yy (J202)	CABLE	407281		
	BLK AAx RW 21 (J121)	Uxx-SLOT yy (J203)	CABLE	407281		
	BLK AAx RW 23 (J122)	Uxx-SLOT yy (J203)	CABLE	407281		
	BLK AAx RW 24 (J123)	Uxx-SLOT yy (J203)	CABLE	407281		
	BLK AAx RW 25 (J124)	Uxx-SLOT yy (J203)	CABLE	407281		

DOC. NO. 407281

RACAL Instruments, Inc., 4 Goodyear St., Irvine, CA 92718			
DOCUMENT TITLE	SIZE	CODE NO.	DOCUMENT NO.
HARNESS ASSY, 1260-35, TTI	A	21793	407281
	DRN		SHEET 3 of 11
			REV C

ENGINEERING WIRE LIST

WIRE	FROM	TO	TYPE	PART #	WIRE LEN	REFERENCE
	BLK AAx RW 26 (J125)	Uxx-SLOT yy (J203)	CABLE	407281		
	BLK AAx RW 27 (J126)	Uxx-SLOT yy (J203)	CABLE	407281		
	BLK AAx RW 28 (J127)	Uxx-SLOT yy (J203)	CABLE	407281		
<p>This system wirelist serves as a template for incorporating this harness assembly into the overall system wirelist. It does not in any way affect the fabrication of this harness assembly.</p>						
<p style="font-size: small;">RACAL Instruments, Inc., 4 Goodyear St., Irvine, CA 92718</p>						
DOCUMENT TITLE			SIZE	CODE NO.	DOCUMENT NO.	REV
HARNESS ASSY, 1260-35, TTI			A	21793	407281	C
			DRN	SHEET 4 of 11		

DOC. NO. 407281

ENGINEERING WIRE LIST

WIRE	FROM	TO	TYPE	PART #	WIRE LEN	REFERENCE
1	J106-3	J200-A1	RED	407260	41.5"	GND
2	J106-1	J200-A2	BRN	407260	41.5"	GND
3	J105-2	J200-A3	BLK	407260	41.5"	CHANNEL 23, A
4	J105-4	J200-A4	WHT	407260	41.5"	CHANNEL 22, A
5	J105-6	J200-A5	GRY	407260	41.5"	CHANNEL 21, A
6	J105-8	J200-A6	VIO	407260	41.5"	CHANNEL 20, A
7	J105-10	J200-A7	BLU	407260	41.5"	CHANNEL 19, A
8	J104-9	J200-A8	GRN	407260	41.5"	CHANNEL 18, A
9	J104-7	J200-A9	YEL	407260	41.5"	COMM 04, A
10	J104-5	J200-A10	ORN	407260	41.5"	CHANNEL 17, A
11	J104-3	J200-A11	RED	407260	41.5"	CHANNEL 16, A
12	J104-1	J200-A12	BRN	407260	41.5"	CHANNEL 15, A
13	J103-2	J200-A13	BLK	407260	41.5"	CHANNEL 14, A
14	J103-4	J200-A14	WHT	407260	41.5"	CHANNEL 13, A
15	J103-6	J200-A15	GRY	407260	41.5"	CHANNEL 12, A
16	J103-8	J200-A16	VIO	407260	41.5"	COMM 03, A
17	J103-10	J200-A17	BLU	407260	41.5"	CHANNEL 11, A
18	J102-9	J200-A18	GRN	407260	41.5"	CHANNEL 10, A
19	J102-7	J200-A19	YEL	407260	41.5"	CHANNEL 09, A
20	J102-5	J200-A20	ORN	407260	41.5"	CHANNEL 08, A
21	J102-3	J200-A21	RED	407260	41.5"	CHANNEL 07, A
22	J102-1	J200-A22	BRN	407260	41.5"	CHANNEL 06, A
23	J101-2	J200-A23	BLK	407260	41.5"	COMM 02, A
24	J101-4	J200-A24	WHT	407260	41.5"	CHANNEL 05, A
25	J101-6	J200-A25	GRY	407260	41.5"	CHANNEL 04, A
26	J101-8	J200-A26	VIO	407260	41.5"	CHANNEL 03, A
27	J101-10	J200-A27	BLU	407260	41.5"	CHANNEL 02, A
28	J100-9	J200-A28	GRN	407260	41.5"	CHANNEL 01, A
29	J100-7	J200-A29	YEL	407260	41.5"	CHANNEL 00, A
30	J100-5	J200-A30	ORN	407260	41.5"	COMM 01, A
31	J100-3	J200-A31	RED	407260	41.5"	J200-A31
32	J100-1	J200-A32	BRN	407260	41.5"	ABUS1, A
33	J106-4	J200-B1	TAN	407260	41.5"	GND
34	J106-2	J200-B2	TAN	407260	41.5"	GND
35	J105-1	J200-B3	TAN	407260	41.5"	CHANNEL 23, B
36	J105-3	J200-B4	TAN	407260	41.5"	CHANNEL 22, B
37	J105-5	J200-B5	TAN	407260	41.5"	CHANNEL 21, B
38	J105-7	J200-B6	TAN	407260	41.5"	CHANNEL 20, B
39	J105-9	J200-B7	TAN	407260	41.5"	CHANNEL 19, B
40	J104-10	J200-B8	TAN	407260	41.5"	CHANNEL 18, B
41	J104-8	J200-B9	TAN	407260	41.5"	COMM 04, B
42	J104-6	J200-B10	TAN	407260	41.5"	CHANNEL 17, B
43	J104-4	J200-B11	TAN	407260	41.5"	CHANNEL 16, B
44	J104-2	J200-B12	TAN	407260	41.5"	CHANNEL 15, B
45	J103-1	J200-B13	TAN	407260	41.5"	CHANNEL 14, B
46	J103-3	J200-B14	TAN	407260	41.5"	CHANNEL 13, B
47	J103-5	J200-B15	TAN	407260	41.5"	CHANNEL 12, B
48	J103-7	J200-B16	TAN	407260	41.5"	COMM 03, B

DOC NO. 407281

RACAL Instruments, Inc., 4 Goodyear St., Irvine, CA 92718

DOCUMENT TITLE	SIZE	CODE NO.	DOCUMENT NO.	REV
HARNESS ASSEMBLY, 1260-35, TTI	A	21793	407281	C
	DRN			
			SHEET 5 of 11	

ENGINEERING WIRE LIST

WIRE	FROM	TO	TYPE	PART #	WIRE LEN	REFERENCE	
49	J103-9	J200-B17	TAN	407260	41.5"	CHANNEL 11, B	
50	J102-10	J200-B18	TAN	407260	41.5"	CHANNEL 10, B	
51	J102-8	J200-B19	TAN	407260	41.5"	CHANNEL 09, B	
52	J102-6	J200-B20	TAN	407260	41.5"	CHANNEL 08, B	
53	J102-4	J200-B21	TAN	407260	41.5"	CHANNEL 07, B	
54	J102-2	J200-B22	TAN	407260	41.5"	CHANNEL 06, B	
55	J101-1	J200-B23	TAN	407260	41.5"	COMM 02, B	
56	J101-3	J200-B24	TAN	407260	41.5"	CHANNEL 05, B	
57	J101-5	J200-B25	TAN	407260	41.5"	CHANNEL 04, B	
58	J101-7	J200-B26	TAN	407260	41.5"	CHANNEL 03, B	
59	J101-9	J200-B27	TAN	407260	41.5"	CHANNEL 02, B	
60	J100-10	J200-B28	TAN	407260	41.5"	CHANNEL 01, B	
61	J100-8	J200-B29	TAN	407260	41.5"	CHANNEL 00, B	
62	J100-6	J200-B30	TAN	407260	41.5"	COMM 01, B	
63	J100-4	J200-B31	TAN	407260	41.5"	J200-A31	
64	J100-2	J200-B32	TAN	407260	41.5"	ABUS1, B	
65	J113-3	J201-A1	RED	407260	41.5"	GND	
66	J113-1	J201-A2	BRN	407260	41.5"	GND	
67	J112-2	J201-A3	BLK	407260	41.5"	CHANNEL 71, A	
68	J112-4	J201-A4	WHT	407260	41.5"	CHANNEL 70, A	
69	J112-6	J201-A5	GRY	407260	41.5"	CHANNEL 69, A	
70	J112-8	J201-A6	VIO	407260	41.5"	CHANNEL 68, A	
71	J112-10	J201-A7	BLU	407260	41.5"	CHANNEL 67, A	
72	J111-9	J201-A8	GRN	407260	41.5"	CHANNEL 66, A	
73	J111-7	J201-A9	YEL	407260	41.5"	COMM 12, A	
74	J111-5	J201-A10	ORN	407260	41.5"	CHANNEL 65, A	
75	J111-3	J201-A11	RED	407260	41.5"	CHANNEL 64, A	
76	J111-1	J201-A12	BRN	407260	41.5"	CHANNEL 63, A	
77	J110-2	J201-A13	BLK	407260	41.5"	CHANNEL 62, A	
78	J110-4	J201-A14	WHT	407260	41.5"	CHANNEL 61, A	
79	J110-6	J201-A15	GRY	407260	41.5"	CHANNEL 60, A	
80	J110-8	J201-A16	VIO	407260	41.5"	COMM 11, A	
81	J110-10	J201-A17	BLU	407260	41.5"	CHANNEL 59, A	
82	J109-9	J201-A18	GRN	407260	41.5"	CHANNEL 58, A	
83	J109-7	J201-A19	YEL	407260	41.5"	CHANNEL 57, A	
84	J109-5	J201-A20	ORN	407260	41.5"	CHANNEL 56, A	
85	J109-3	J201-A21	RED	407260	41.5"	CHANNEL 55, A	
86	J109-1	J201-A22	BRN	407260	41.5"	CHANNEL 54, A	
87	J108-2	J201-A23	BLK	407260	41.5"	COMM 10A	
88	J108-4	J201-A24	WHT	407260	41.5"	CHANNEL 53, A	
89	J108-6	J201-A25	GRY	407260	41.5"	CHANNEL 52, A	
90	J108-8	J201-A26	VIO	407260	41.5"	CHANNEL 51, A	
91	J108-10	J201-A27	BLU	407260	41.5"	CHANNEL 50, A	
92	J107-9	J201-A28	GRN	407260	41.5"	CHANNEL 49, A	
93	J107-7	J201-A29	YEL	407260	41.5"	CHANNEL 48, A	
94	J107-5	J201-A30	ORN	407260	41.5"	COMM 09, A	
95	J107-3	J201-A31	RED	407260	41.5"	J201-A31	
96	J107-1	J201-A32	BRN	407260	41.5"	ABUS2, A	
RACAL Instruments, Inc., 4 Goodyear St., Irvine, CA 92718							
DOCUMENT TITLE				SIZE	CODE NO.	DOCUMENT NO.	REV
HARNESS ASSEMBLY, 1260-35, TTI				A	21793	407281	C
				DRN	SHEET 6 of 11		

DOC NO. 407281

ENGINEERING WIRE LIST

WIRE	FROM	TO	TYPE	PART #	WIRE LEN	REFERENCE
97	J113-4	J201-B1	TAN	407260	41.5"	GND
98	J113-2	J201-B2	TAN	407260	41.5"	GND
99	J112-1	J201-B3	TAN	407260	41.5"	CHANNEL 71, B
100	J112-3	J201-B4	TAN	407260	41.5"	CHANNEL 70, B
101	J112-5	J201-B5	TAN	407260	41.5"	CHANNEL 69, B
102	J112-7	J201-B6	TAN	407260	41.5"	CHANNEL 68, B
103	J112-9	J201-B7	TAN	407260	41.5"	CHANNEL 67, B
104	J111-10	J201-B8	TAN	407260	41.5"	CHANNEL 66, B
105	J111-8	J201-B9	TAN	407260	41.5"	COMM 12, B
106	J111-6	J201-B10	TAN	407260	41.5"	CHANNEL 65, B
107	J111-4	J201-B11	TAN	407260	41.5"	CHANNEL 64, B
108	J111-2	J201-B12	TAN	407260	41.5"	CHANNEL 63, B
109	J110-1	J201-B13	TAN	407260	41.5"	CHANNEL 62, B
110	J110-3	J201-B14	TAN	407260	41.5"	CHANNEL 61, B
111	J110-5	J201-B15	TAN	407260	41.5"	CHANNEL 60, B
112	J110-7	J201-B16	TAN	407260	41.5"	COMM 11, B
113	J110-9	J201-B17	TAN	407260	41.5"	CHANNEL 59, B
114	J109-10	J201-B18	TAN	407260	41.5"	CHANNEL 58, B
115	J109-8	J201-B19	TAN	407260	41.5"	CHANNEL 57, B
116	J109-6	J201-B20	TAN	407260	41.5"	CHANNEL 56, B
117	J109-4	J201-B21	TAN	407260	41.5"	CHANNEL 55, B
118	J109-2	J201-B22	TAN	407260	41.5"	CHANNEL 54, B
119	J108-1	J201-B23	TAN	407260	41.5"	COMM 10, B
120	J108-3	J201-B24	TAN	407260	41.5"	CHANNEL 53, B
121	J108-5	J201-B25	TAN	407260	41.5"	CHANNEL 52, B
122	J108-7	J201-B26	TAN	407260	41.5"	CHANNEL 51, B
123	J108-9	J201-B27	TAN	407260	41.5"	CHANNEL 50, B
124	J107-10	J201-B28	TAN	407260	41.5"	CHANNEL 49, B
125	J107-8	J201-B29	TAN	407260	41.5"	CHANNEL 48, B
126	J107-6	J201-B30	TAN	407260	41.5"	COMM 09, B
127	J107-4	J201-B31	TAN	407260	41.5"	J201-A31
128	J107-2	J201-B32	TAN	407260	41.5"	ABUS2, B
129	J120-3	J202-A1	RED	407260	41.5"	GND
130	J120-1	J202-A2	BRN	407260	41.5"	GND
131	J119-2	J202-A3	BLK	407260	41.5"	CHANNEL 47, A
132	J119-4	J202-A4	WHT	407260	41.5"	CHANNEL 46, A
133	J119-6	J202-A5	GRY	407260	41.5"	CHANNEL 45, A
134	J119-8	J202-A6	VIO	407260	41.5"	CHANNEL 44, A
135	J119-10	J202-A7	BLU	407260	41.5"	CHANNEL 43, A
136	J118-9	J202-A8	GRN	407260	41.5"	CHANNEL 42, A
137	J118-7	J202-A9	YEL	407260	41.5"	COMM 08A
138	J118-5	J202-A10	ORN	407260	41.5"	CHANNEL 41, A
139	J118-3	J202-A11	RED	407260	41.5"	CHANNEL 40, A
140	J118-1	J202-A12	BRN	407260	41.5"	CHANNEL 39, A
141	J117-2	J202-A13	BLK	407260	41.5"	CHANNEL 38, A
142	J117-4	J202-A14	WHT	407260	41.5"	CHANNEL 37, A

DOC NO. 407281

RACAL Instruments, Inc., 4 Goodyear St., Irvine, CA 92718						
DOCUMENT TITLE			SIZE	CODE NO.	DOCUMENT NO.	REV
HARNESS ASSEMBLY, 1260-35, TTI			A	21793	407281	C
			DRN	SHEET 7 of 11		

ENGINEERING WIRE LIST

WIRE	FROM	TO	TYPE	PART #	WIRE LEN	REFERENCE	
143	J117-6	J202-A15	GRY	407260	41.5"	CHANNEL 36, A	
144	J117-8	J202-A16	VIO	407260	41.5"	COMM 07, A	
145	J117-10	J202-A17	BLU	407260	41.5"	CHANNEL 35, A	
146	J116-9	J202-A18	GRN	407260	41.5"	CHANNEL 34, A	
147	J116-7	J202-A19	YEL	407260	41.5"	CHANNEL 33, A	
148	J116-5	J202-A20	ORN	407260	41.5"	CHANNEL 32, A	
149	J116-3	J202-A21	RED	407260	41.5"	CHANNEL 31, A	
150	J116-1	J202-A22	BRN	407260	41.5"	CHANNEL 30, A	
151	J115-2	J202-A23	BLK	407260	41.5"	COMM 06, A	
152	J115-4	J202-A24	WHT	407260	41.5"	CHANNEL 29, A	
153	J115-6	J202-A25	GRY	407260	41.5"	CHANNEL 28, A	
154	J115-8	J202-A26	VIO	407260	41.5"	CHANNEL 27, A	
155	J115-10	J202-A27	BLU	407260	41.5"	CHANNEL 26, A	
156	J114-9	J202-A28	GRN	407260	41.5"	CHANNEL 25, A	
157	J114-7	J202-A29	YEL	407260	41.5"	CHANNEL 24, A	
158	J114-5	J202-A30	ORN	407260	41.5"	COMM 05, A	
159	J114-3	J202-A31	RED	407260	41.5"	GND	
160	J114-1	J202-A32	BRN	407260	41.5"	GND	
161	J120-4	J202-B1	TAN	407260	41.5"	GND	
162	J120-2	J202-B2	TAN	407260	41.5"	GND	
163	J119-1	J202-B3	TAN	407260	41.5"	CHANNEL 47, B	
164	J119-3	J202-B4	TAN	407260	41.5"	CHANNEL 46, B	
165	J119-5	J202-B5	TAN	407260	41.5"	CHANNEL 45, B	
166	J119-7	J202-B6	TAN	407260	41.5"	CHANNEL 44, B	
167	J119-9	J202-B7	TAN	407260	41.5"	CHANNEL 43, B	
168	J118-10	J202-B8	TAN	407260	41.5"	CHANNEL 42, B	
169	J118-8	J202-B9	TAN	407260	41.5"	COMM 08, B	
170	J118-6	J202-B10	TAN	407260	41.5"	CHANNEL 41, B	
171	J118-4	J202-B11	TAN	407260	41.5"	CHANNEL 40, B	
172	J118-2	J202-B12	TAN	407260	41.5"	CHANNEL 39, B	
173	J117-1	J202-B13	TAN	407260	41.5"	CHANNEL 38, B	
174	J117-3	J202-B14	TAN	407260	41.5"	CHANNEL 37, B	
175	J117-5	J202-B15	TAN	407260	41.5"	CHANNEL 36, B	
176	J117-7	J202-B16	TAN	407260	41.5"	COMM 07, B	
177	J117-9	J202-B17	TAN	407260	41.5"	CHANNEL 35, B	
178	J116-10	J202-B18	TAN	407260	41.5"	CHANNEL 34, B	
179	J116-8	J202-B19	TAN	407260	41.5"	CHANNEL 33, B	
180	J116-6	J202-B20	TAN	407260	41.5"	CHANNEL 32, B	
181	J116-4	J202-B21	TAN	407260	41.5"	CHANNEL 31, B	
182	J116-2	J202-B22	TAN	407260	41.5"	CHANNEL 30, B	
183	J115-1	J202-B23	TAN	407260	41.5"	COMM 06, B	
184	J115-3	J202-B24	TAN	407260	41.5"	CHANNEL 29, B	
185	J115-5	J202-B25	TAN	407260	41.5"	CHANNEL 28, B	
186	J115-7	J202-B26	TAN	407260	41.5"	CHANNEL 27, B	
187	J115-9	J202-B27	TAN	407260	41.5"	CHANNEL 26, B	
188	J114-10	J202-B28	TAN	407260	41.5"	CHANNEL 25, B	
189	J114-8	J202-B29	TAN	407260	41.5"	CHANNEL 24, B	
190	J114-6	J202-B30	TAN	407260	41.5"	COMM 05, B	
RACAL Instruments, Inc., 4 Goodyear St., Irvine, CA 92718							
DOCUMENT TITLE				SIZE	CODE NO.	DOCUMENT NO.	REV
HARNESS ASSEMBLY, 1260-35, TTI				A	21793	407281	C
				DRN	SHEET 8 of 11		

DOC. NO. 407281

ENGINEERING WIRE LIST

WIRE	FROM	TO	TYPE	PART #	WIRE LEN	REFERENCE
191	J114-4	J202-B31	TAN	407260	41.5"	GND
192	J114-2	J202-B32	TAN	407260	41.5"	GND
193	J127-3	J203-A1	RED	407260	41.5"	GND
194	J127-1	J203-A2	BRN	407260	41.5"	GND
195	J126-2	J203-A3	BLK	407260	41.5"	CHANNEL 95, A
196	J126-4	J203-A4	WHT	407260	41.5"	CHANNEL 94, A
197	J126-6	J203-A5	GRY	407260	41.5"	CHANNEL 93, A
198	J126-8	J203-A6	VIO	407260	41.5"	CHANNEL 92, A
199	J126-10	J203-A7	BLU	407260	41.5"	CHANNEL 91, A
200	J125-9	J203-A8	GRN	407260	41.5"	CHANNEL 90, A
201	J125-7	J203-A9	YEL	407260	41.5"	COMM 16, A
202	J125-5	J203-A10	ORN	407260	41.5"	CHANNEL 89, A
203	J125-3	J203-A11	RED	407260	41.5"	CHANNEL 88, A
204	J125-1	J203-A12	BRN	407260	41.5"	CHANNEL 87, A
205	J124-2	J203-A13	BLK	407260	41.5"	CHANNEL 86, A
206	J124-4	J203-A14	WHT	407260	41.5"	CHANNEL 85, A
207	J124-6	J203-A15	GRY	407260	41.5"	CHANNEL 84, A
208	J124-8	J203-A16	VIO	407260	41.5"	COMM 15, A
209	J124-10	J203-A17	BLU	407260	41.5"	CHANNEL 83, A
210	J123-9	J203-A18	GRN	407260	41.5"	CHANNEL 82, A
211	J123-7	J203-A19	YEL	407260	41.5"	CHANNEL 81, A
212	J123-5	J203-A20	ORN	407260	41.5"	CHANNEL 80, A
213	J123-3	J203-A21	RED	407260	41.5"	CHANNEL 79, A
214	J123-1	J203-A22	BRN	407260	41.5"	CHANNEL 78, A
215	J122-2	J203-A23	BLK	407260	41.5"	COMM 14, A
216	J122-4	J203-A24	WHT	407260	41.5"	CHANNEL 77, A
217	J122-6	J203-A25	GRY	407260	41.5"	CHANNEL 76, A
218	J122-8	J203-A26	VIO	407260	41.5"	CHANNEL 75, A
219	J122-10	J203-A27	BLU	407260	41.5"	CHANNEL 74, A
220	J121-9	J203-A28	GRN	407260	41.5"	CHANNEL 73, A
221	J121-7	J203-A29	YEL	407260	41.5"	CHANNEL 72, A
222	J121-5	J203-A30	ORN	407260	41.5"	COMM 13, A
223	J121-3	J203-A31	RED	407260	41.5"	GND
224	J121-1	J203-A32	BRN	407260	41.5"	GND
225	J127-4	J203-B1	TAN	407260	41.5"	GND
226	J127-2	J203-B2	TAN	407260	41.5"	GND
227	J126-1	J203-B3	TAN	407260	41.5"	CHANNEL 95, B
228	J126-3	J203-B4	TAN	407260	41.5"	CHANNEL 94, B
229	J126-5	J203-B5	TAN	407260	41.5"	CHANNEL 93, B
230	J126-7	J203-B6	TAN	407260	41.5"	CHANNEL 92, B
231	J126-9	J203-B7	TAN	407260	41.5"	CHANNEL 91, B
232	J125-10	J203-B8	TAN	407260	41.5"	CHANNEL 90, B
233	J125-8	J203-B9	TAN	407260	41.5"	COMM 16, B
234	J125-6	J203-B10	TAN	407260	41.5"	CHANNEL 89, B
235	J125-4	J203-B11	TAN	407260	41.5"	CHANNEL 88, B
236	J125-2	J203-B12	TAN	407260	41.5"	CHANNEL 87, B
RACAL Instruments, Inc., 4 Goodyear St., Irvine, CA 92718						
DOCUMENT TITLE			SIZE	CODE NO.	DOCUMENT NO.	REV
HARNESS ASSEMBLY, 1260-35, TTI			A	21793	407281	C
			DRN	SHEET 9 of 11		

DOC. NO. 407281

ENGINEERING WIRE LIST

WIRE	FROM	TO	TYPE	PART #	WIRE LEN	REFERENCE
237	J124-1	J203-B13	TAN	407260	41.5"	CHANNEL 86, B
238	J124-3	J203-B14	TAN	407260	41.5"	CHANNEL 85, B
239	J124-5	J203-B15	TAN	407260	41.5"	CHANNEL 84, B
240	J124-7	J203-B16	TAN	407260	41.5"	COMM 15, B
241	J124-9	J203-B17	TAN	407260	41.5"	CHANNEL 83, B
242	J123-10	J203-B18	TAN	407260	41.5"	CHANNEL 82, B
243	J123-8	J203-B19	TAN	407260	41.5"	CHANNEL 81, B
244	J123-6	J203-B20	TAN	407260	41.5"	CHANNEL 80, B
245	J123-4	J203-B21	TAN	407260	41.5"	CHANNEL 79, B
246	J123-2	J203-B22	TAN	407260	41.5"	CHANNEL 78, B
247	J122-1	J203-B23	TAN	407260	41.5"	COMM 14, B
248	J122-3	J203-B24	TAN	407260	41.5"	CHANNEL 77, B
249	J122-5	J203-B25	TAN	407260	41.5"	CHANNEL 76, B
250	J122-7	J203-B26	TAN	407260	41.5"	CHANNEL 75, B
251	J122-9	J203-B27	TAN	407260	41.5"	CHANNEL 74, B
252	J121-10	J203-B28	TAN	407260	41.5"	CHANNEL 73, B
253	J121-8	J203-B29	TAN	407260	41.5"	CHANNEL 72, B
254	J121-6	J203-B30	TAN	407260	41.5"	COMM 13, B
255	J121-4	J203-B31	TAN	407260	41.5"	GND
256	J121-2	J203-B32	TAN	407260	41.5"	GND
257	J106-5	NO CONNECT				
258	J106-6	NO CONNECT				
259	J106-7	NO CONNECT				
260	J106-8	NO CONNECT				
261	J106-9	NO CONNECT				
262	J106-10	NO CONNECT				
263	J113-5	NO CONNECT				
264	J113-6	NO CONNECT				
265	J113-7	NO CONNECT				
266	J113-8	NO CONNECT				
267	J113-9	NO CONNECT				
268	J113-10	NO CONNECT				
269	J120-5	NO CONNECT				
270	J120-6	NO CONNECT				
271	J120-7	NO CONNECT				
272	J120-8	NO CONNECT				
273	J120-9	NO CONNECT				
274	J120-10	NO CONNECT				
275	J127-5	NO CONNECT				
276	J127-6	NO CONNECT				
277	J127-7	NO CONNECT				
278	J127-8	NO CONNECT				

DOC. NO. 407281

RACAL Instruments, Inc., 4 Goodyear St., Irvine, CA 92718						
DOCUMENT TITLE			SIZE	CODE NO.	DOCUMENT NO	REV
HARNESS ASSEMBLY, 1260-35, TTI			A	21793	407281	C
DRN					SHEET 10 of 11	

ENGINEERING WIRE LIST

WIRE	FROM	TO	TYPE	PART #	WIRE LEN	REFERENCE
279	J127-9	NO CONNECT				
280	J127-10	NO CONNECT				

DOC. NO. 407281

RACAL Instruments, Inc., 4 Goodyear St., Irvine, CA 92718			
DOCUMENT TITLE	SIZE	CODE NO.	DOCUMENT NO.
HARNESS ASSEMBLY, 1260-35, TTI	A	21793	407281
	DRN		SHEET 11 of 11

Chapter 7

PRODUCT SUPPORT

Product Support

Racal Instruments has a complete Service and Parts Department. If you need technical assistance or should it be necessary to return your product for repair or calibration, call 1-800-722-3262. If parts are required to repair the product at your facility, call 1-949-859-8999 and ask for the Parts Department.

When sending your instrument in for repair, complete the form in the back of this manual.

For worldwide support and the office closes to your facility, refer to the Support Offices section on the following page.

Reshipment Instructions

Use the original packing material when returning the 1260-35 to Racal Instruments for calibration or servicing. The original shipping crate and associated packaging material will provide the necessary protection for safe reshipment.

If the original packing material is unavailable, contact Racal Instruments Customer Service for information.

Support Offices

Racal Instruments, Inc.

4 Goodyear St., Irvine, CA 92618-2002
Tel: (800) 722-3262, FAX: (949) 859-7309

Racal Instruments, Ltd.

480 Bath Road, Slough, Berkshire, SL1 6BE, United Kingdom
Tel: +44 (0) 8706 080134; FAX: +44 (0) 1753 791290

Racal Systems Electronique S.A.

18 Avenue Dutartre, 78150 LeChesnay, France
Tel: +33 (1) 3923 2222; FAX: +33 (1) 3923 2225

Racal Systems Elettronica s.r.l.

Strada 2-Palazzo C4, 20090 Milanofiori Assago, Milan, Italy
Tel: +39 (02) 5750 1796; FAX +39 (02) 5750 1828

Racal Elektronik System GmbH.

Frankenforster Strasse 21, 51427 Bergisch Gladbach, Germany
Tel:+49 2204 92220; FAX: +49 2204 21491

Racal Australia Pty. Ltd.

3 Powells Road, Brookvale, NSW 2100, Australia
Tel: +61 (2) 9936 7000, FAX: +61 (2) 9936 7036

Racal Electronics Pte. Ltd.

26 Ayer Rajah Crescent, 04-06/07 Ayer Rajah Industrial Estate, Singapore 0513.
Tel: +65 7792200, FAX: +65 7785400

Racal Instruments, Ltd.

Unit 5, 25F., Mega Trade Center, No 1, Mei Wan Road, Tsuen Wan, Hong Kong, PRC
Tel: +852 2405 5500, FAX: +852 2416 4335